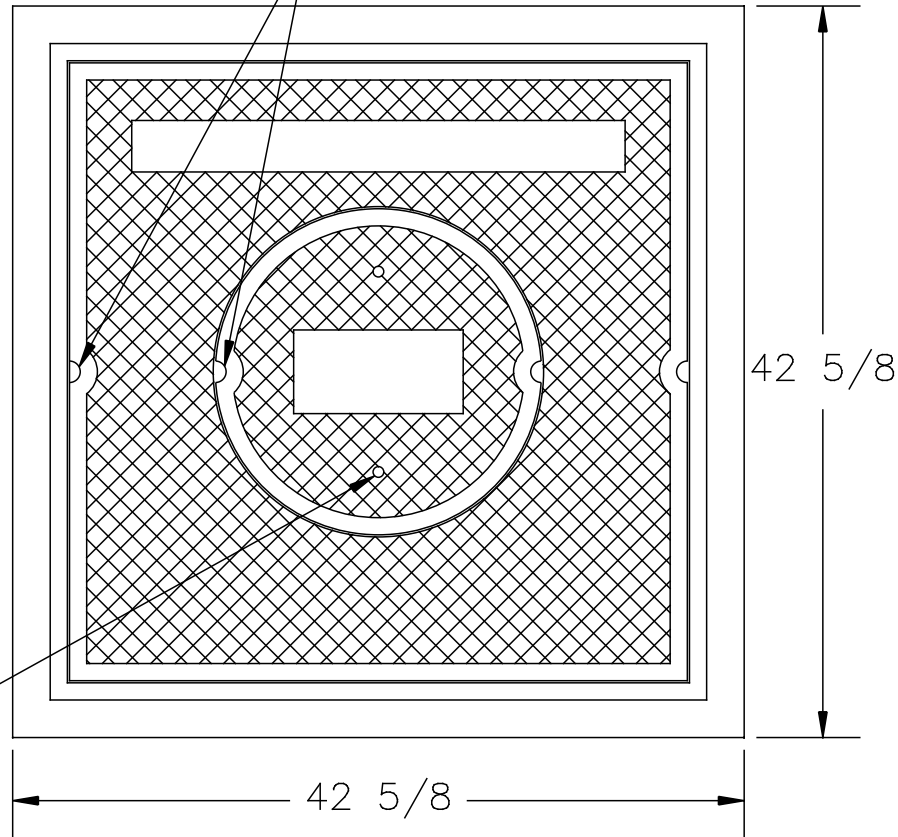
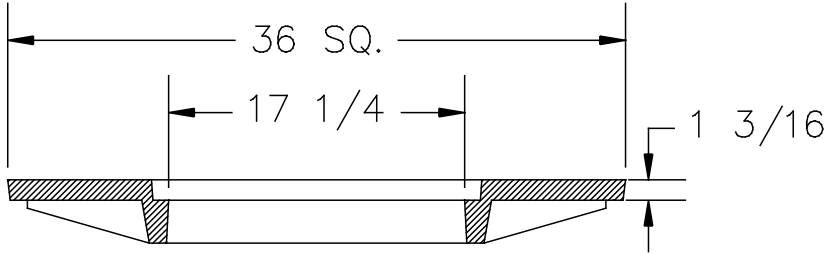
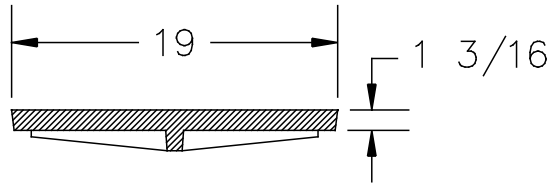
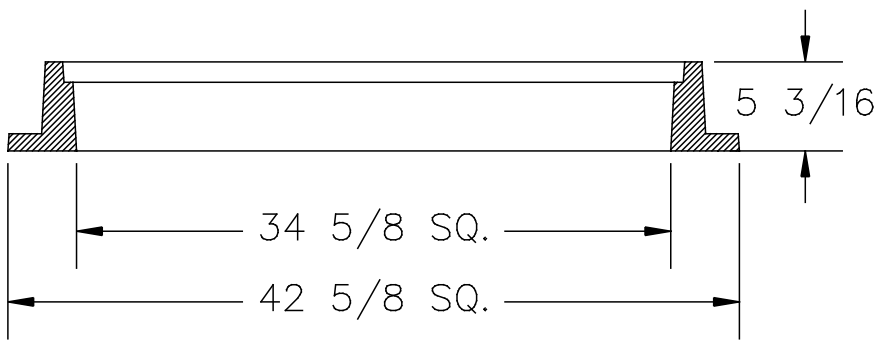


(4)- PENETRATING PICKHOLES



(2)- 5/8" DIA. VENT HOLES



NOTES:

- 1- MATERIAL: ASTM-A48 CLASS 35B GRAY IRON.
- 2- FRAME WT: 440 LBS. APP.
- 3- OUTER COVER WT: 395 LBS. APP.
- 4- COVER WT: 85 LBS. APP.



U.S. FOUNDRY & MFG. CORP.
 MEDLEY, FLORIDA

USF 7665 FRAME &
 HH/HJ COVERS

DWN. BY: DBB	SCALE: 1"=1'-0"	DATE: 9/8/98
CHK. BY:	DWG. NO: A4226	REV: 1