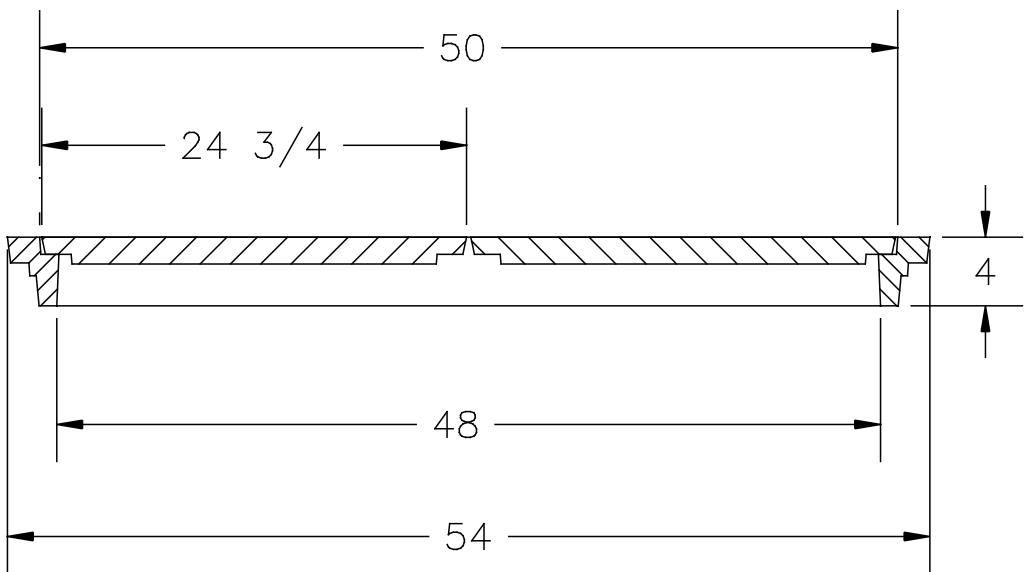
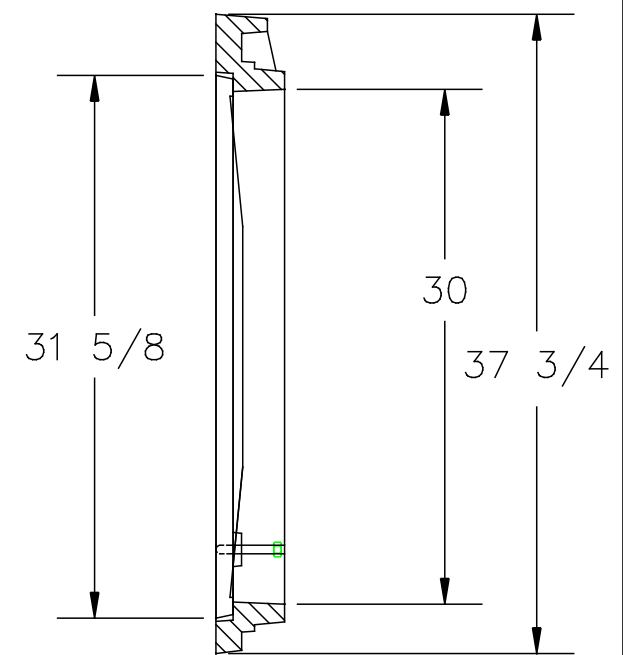



DROP HANDLE



NOTES:

- 1- MATERIAL; ASTM-A48 CLASS 35B GRAY IRON.
- 2- FRAME WT: 290 LBS APP.
- 3- COVER WT: 500 LBS APP.

 <b>U.S. FOUNDRY &amp; MFG. CORP.</b> MEDLEY, FLORIDA		
USF 7645-KC FRAME & COVER		
DWN. BY: DBB	SCALE: 1"=1'-0"	DATE: 3/19/98
CHK. BY:	DWG. NO: A4036	REV: