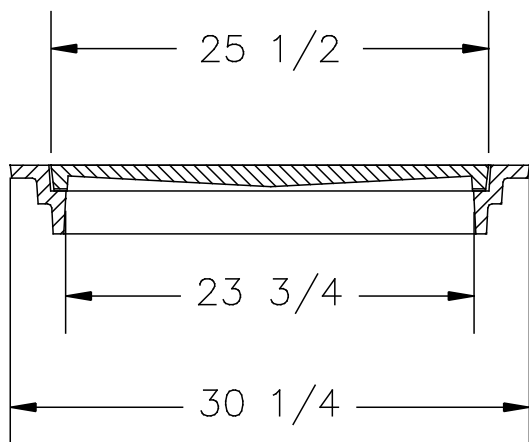
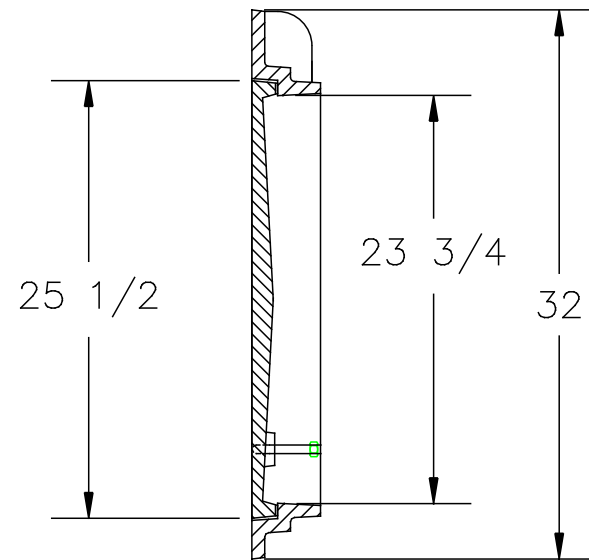


DROP HANDLE



NOTES:

- 1- MATERIAL: ASTM-A48 CLASS 35B GRAY IRON
- 2- FRAME WT: 140 LBS APP.
- 3- COVER WT: 170 LBS APP.



U.S. FOUNDRY & MFG. CORP.
MEDLEY, FLORIDA

USF 7641-JJ FRAME & COVER

DWN. BY: DBB	SCALE: 1" = 1'-0"	DATE: 5/7/98
CHK. BY:	DWG. NO: A0805	REV: