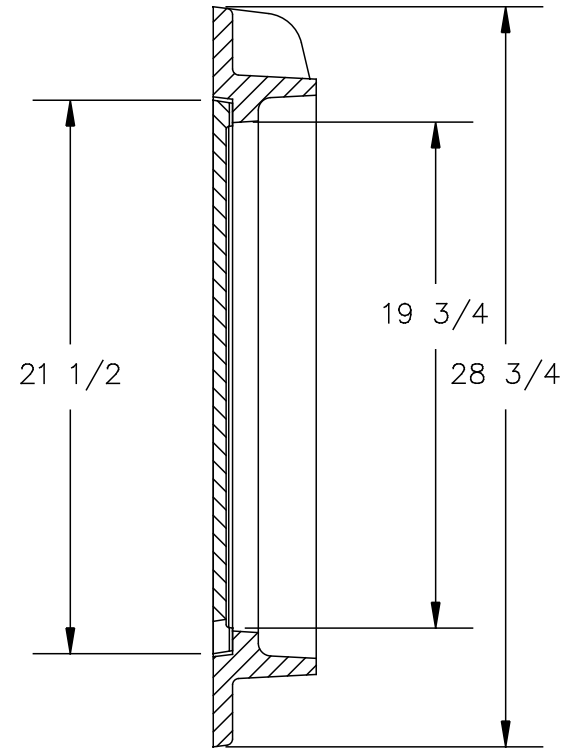
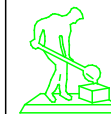
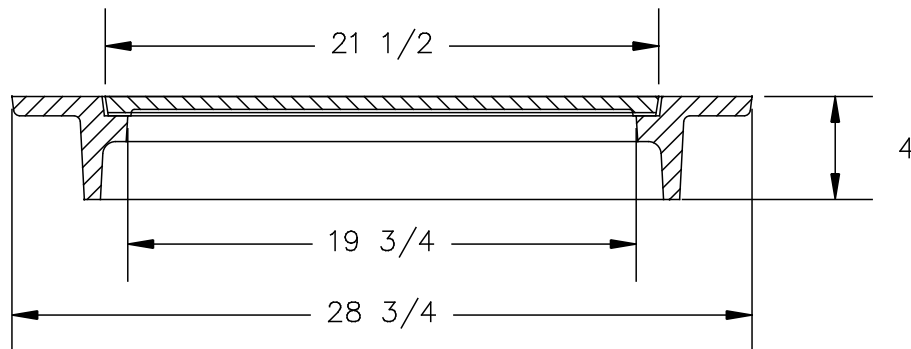


(1) - PENETRATING PICKHOLE



NOTES:

- 1- MATERIAL; ASTM-A48 CLASS 35B GRAY IRON.
- 2- FRAME WT: 150 LBS. APP.
- 3- COVER WT: 65 LBS. APP.
- 4- LOADING: LIGHT DUTY



U.S. FOUNDRY & MFG. CORP.
 MEDLEY, FLORIDA

USF 7640 FRAME & JK COVER

DWN. BY: DBB	SCALE: 1/8" = 1"	DATE: 12/8/92
CHK. BY:	DWG. NO: A0632	REV: