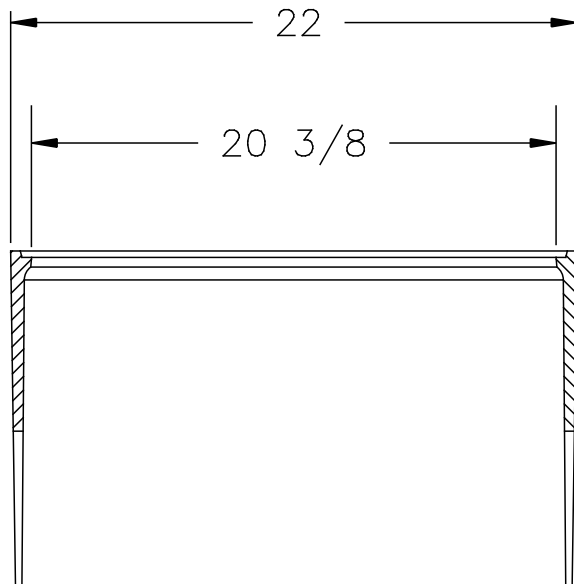
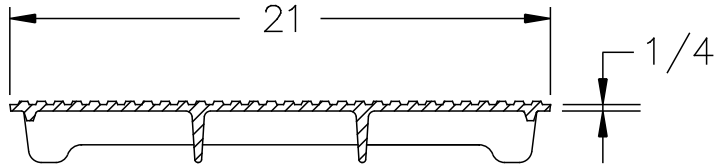
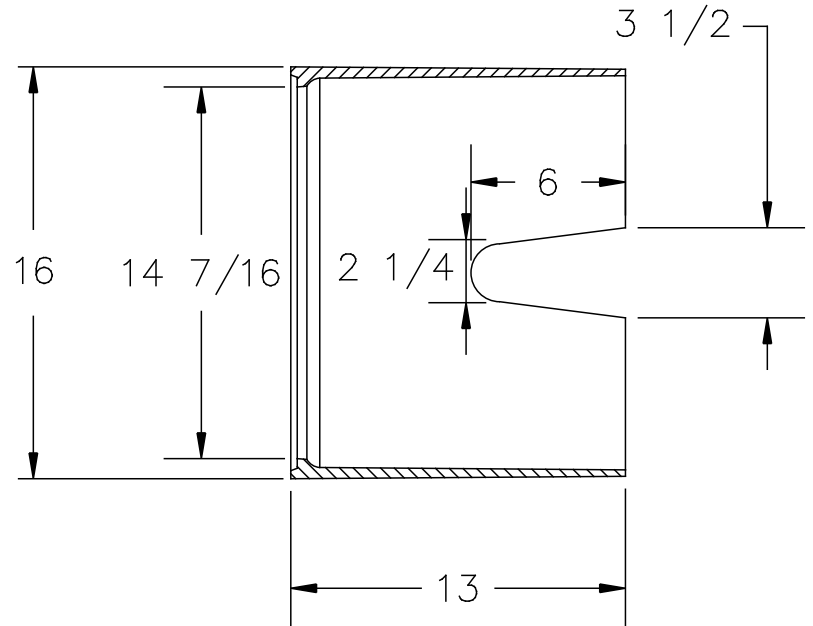
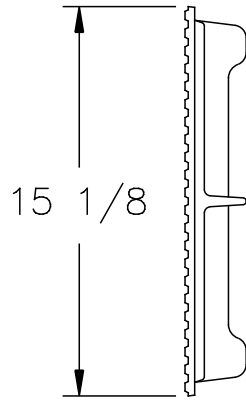
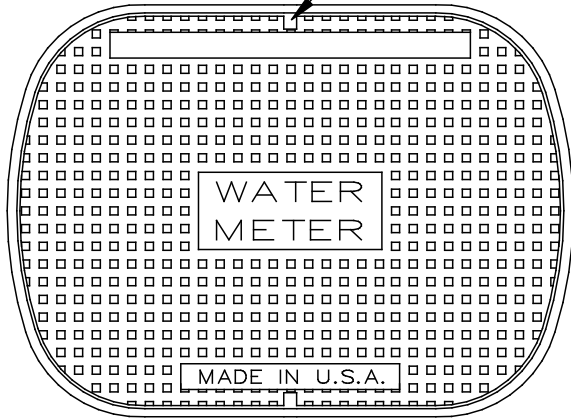


2- PENETRATING PICKHOLES



NOTES:

- 1- MATERIAL: ASTM-A48 CLASS 35B GRAY IRON.
- 2- FRAME WT: 90 LBS APP.
- 3- COVER WT: 30 LBS. APP.
- 4- LOADING: LIGHT DUTY.

U.S. FOUNDRY & MFG. CORP.
MIAMI, FLORIDA

USF 7634 FRAME & FM
COVER

DWN. BY: W.A. | DATE: 9/13/91

CHK. BY: | DWG. NO: A2617