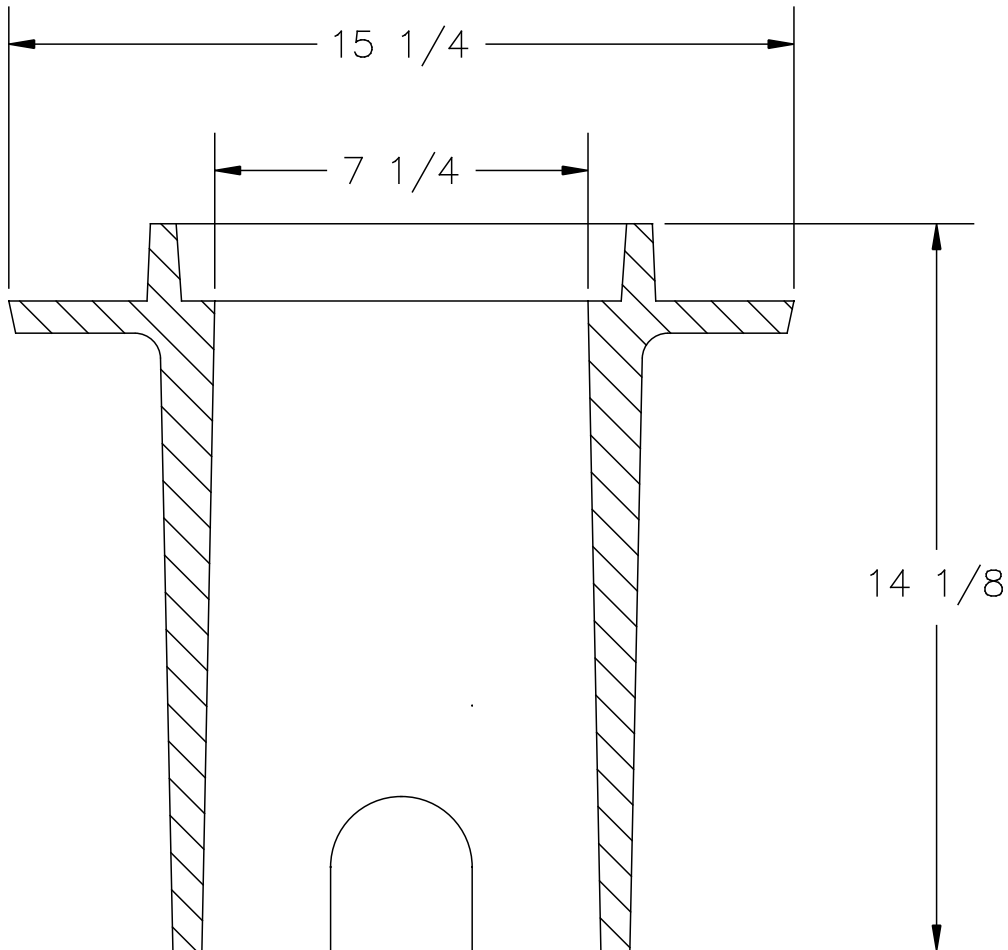
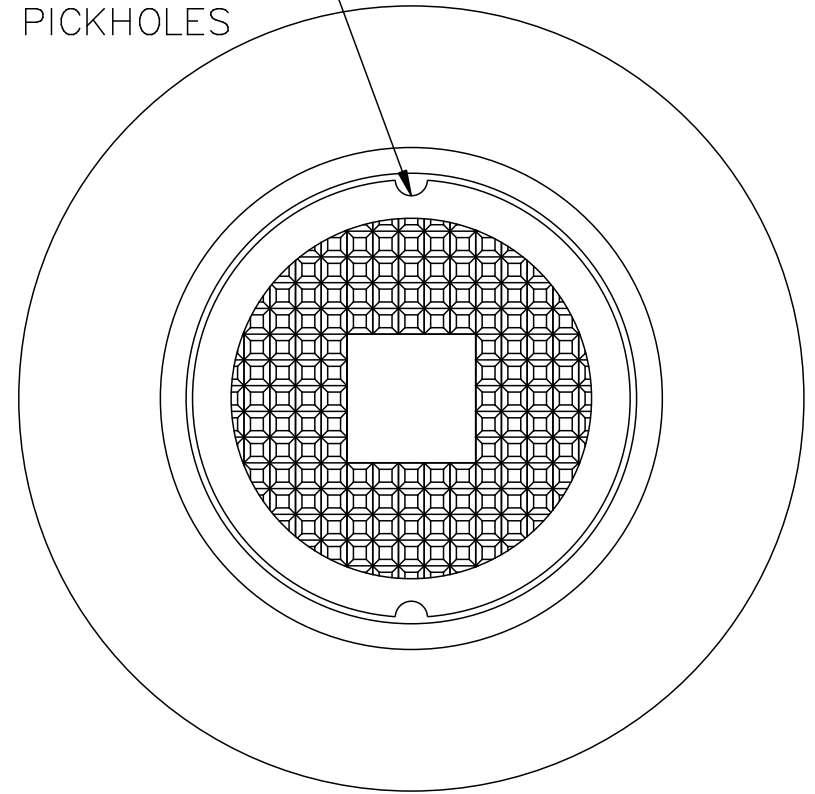
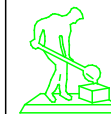


(2) - PENETRATING PICKHOLES



NOTES:

- 1- MATERIAL: ASTM-A48 CLASS 35B GRAY IRON.
- 2- FRAME WT: 90 LBS. APP.
- 3- COVER WT: 25 LBS. APP.



U.S. FOUNDRY & MFG. CORP.
MEDLEY, FLORIDA

USF 7615 RING & FC COVER

DWN. BY: DBB	SCALE: 1/4" = 1"	DATE: 4/24/97
CHK. BY:	DWG. NO: A3807	REV: