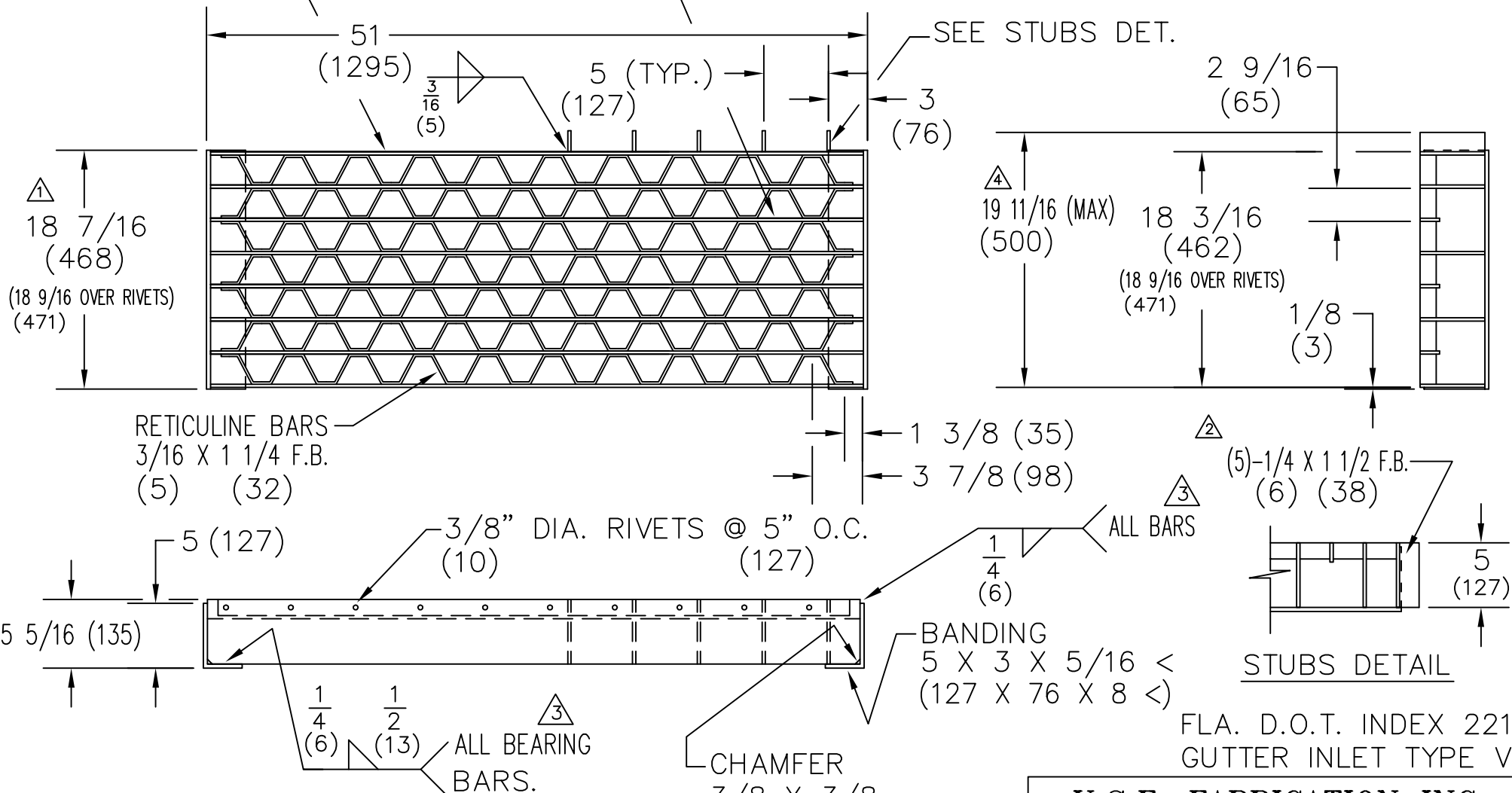


BEARING BARS
1/4 X 5 F.B.
(6) (127)

INTERM. BEARING BARS
1/4 X 1 1/2 F.B.
(6) (38)



RETICULINE BARS
3/16 X 1 1/4 F.B.
(5) (32)

18 7/16 (468)

(18 9/16 OVER RIVETS) (471)

STUBS DETAIL

FLA. D.O.T. INDEX 221
GUTTER INLET TYPE V

NOTE:

1-MATERIAL: ASTM A-36 STEEL

2-FINISH: PAINTED TO FLA. D.O.T. SPECS.

3-LOADING NON-TRAFFIC.

4-(2)GRATES REQ'D. PER INLET.

5-1PC. = USF 6653

6-ALL DIM. ARE IN INCHES WITH METRIC EQUIVALENTS (mm) SHOWN IN PARENTHESES.

REV.	DATE	BY	CHK.	DESCRIPTION
△	7/9/97	D.B.		CHANGED FROM HAND DWG. TO AUTOCAD DWG. ADDED METRIC DIM.
△	9/28/92			ADD 'MAX' DIM (19 11/16)
△	8/26/92			REVISED WELDING
△	3/14/90			ADDED LUG, CHANGED SPACING
△	11/15/82			CHANGED: 18 7/16 WAS 18 1/4

U.S.F. FABRICATION INC.
HIALEAH, FLORIDA

USF 6651 GRATE

DWN. BY: DBB SCALE: 1" = 1'-0" DATE: 3/19/96

CHK. BY: DWG. NO: 209A REV: △