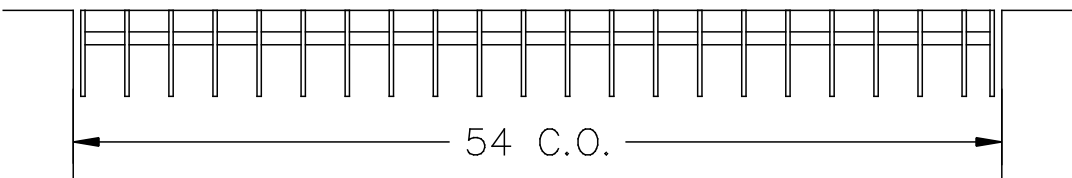
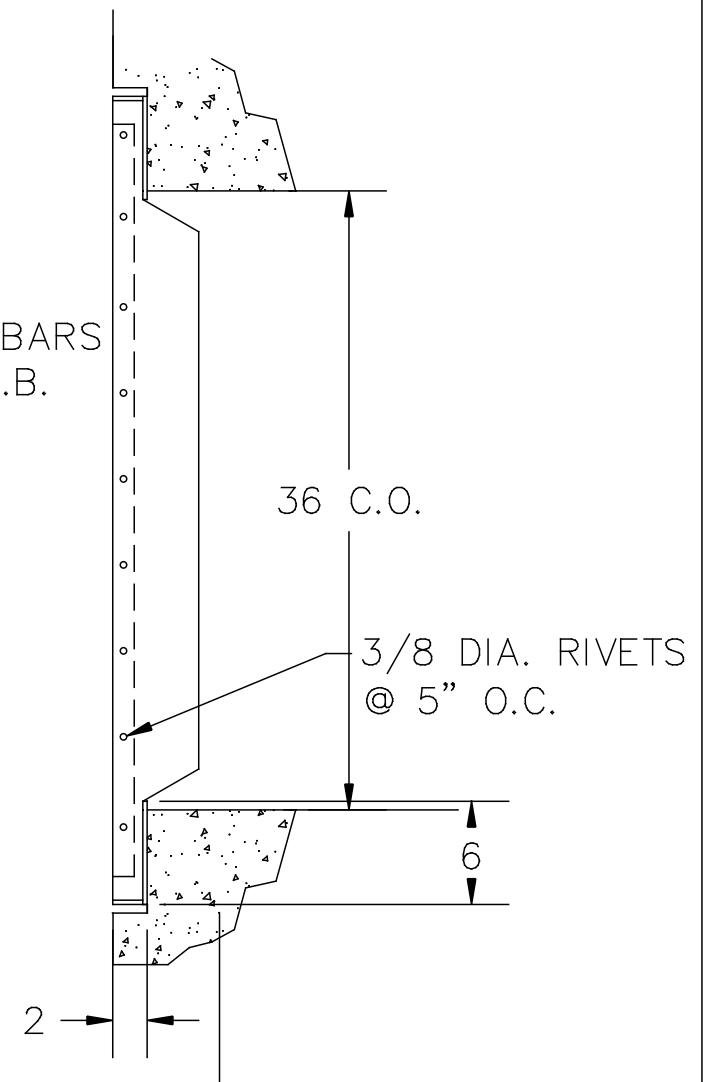


BEARING BARS
1/4X 5 F.B.



NOTES:

- 1- MATERIAL: STEEL, HOT DIPPED GALVINIZED.
- 2- PAINTED TO F.D.O.T. SPECIFICATIONS UPON REQUEST.
- 3- WEIGHT: 445 LBS. APP.
- 4- LOADING: H-20 WHEEL LOADS.

U.S. FOUNDRY & MFG. CORP.
MEDLEY, FLORIDA

USF 6695 STEEL GRATE

DWN. BY: NKD	SCALE: 1=12	DATE: 4/15/96
CHK. BY:	DWG. NO: 13983	REV: