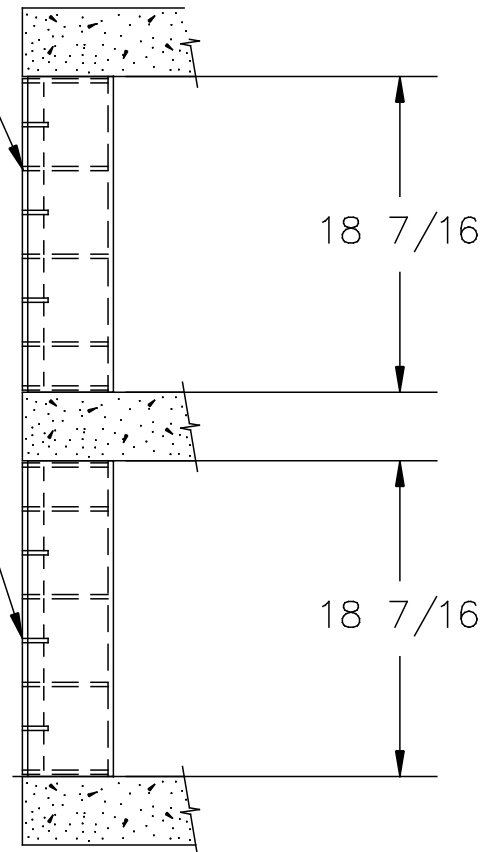


BEARING BARS
1/4 X 5 F.B.

INTERM.
BEARING BARS
1/4 X 1/2 F.B.



NOTES:

- 1- MATERIAL: STEEL, PAINTED TO F.D.O.T. SPECIFICATIONS.
- 2- GALVINIZED UPON REQUEST.
- 3- WEIGHT 325 LBS. APP. PER SET.
- 4- LOADING: NON-TRAFFIC.
- 5- (2) GRATES REQ'D. PER INLET.
- 6- F.D.O.T. INDEX 231 TYPE 'B' DITCH BOTTOM INLET.

U.S. FOUNDRY & MFG. CORP.
MEDLEY, FLORIDA

USF 6650 STEEL GRATE

DWN. BY: MJH	SCALE: 1"=12"	QUOTE#	DATE: 4/24/80
CHK. BY:	DWG. NO: 209	SHEET	REV: