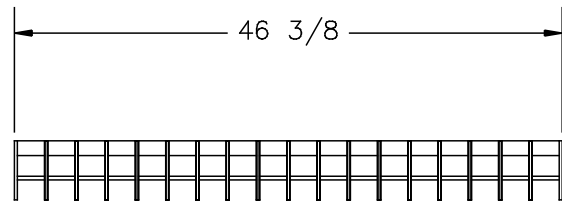
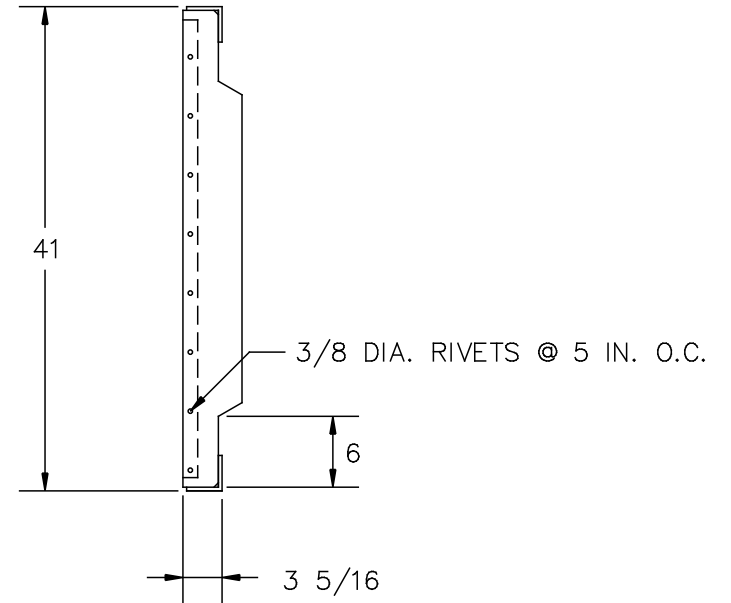


BEARING BARS 1/4 X 5 F.B.



**NOTES:**

- 1- MATERIAL: STEEL, HOT DIPPED GALVINIZED.
- 2- PAINTED TO F.D.O.T. SPECIFICATIONS UPON REQUEST.
- 3- WEIGHT: 350 LBS. APP.
- 4- LOADING: H-20 WHEEL LOADS.

**U.S. FOUNDRY & MFG. CORP.**  
 MEDLEY, FLORIDA

USF 6632 STEEL GRATE

DWN. BY: JM	SCALE: 1"=1'	QUOTE#	DATE: 10/8/92
CHK. BY:	DWG. NO: 5124	SHEET	REV: