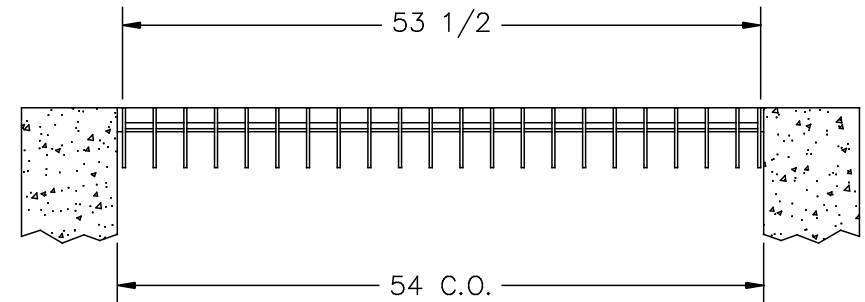
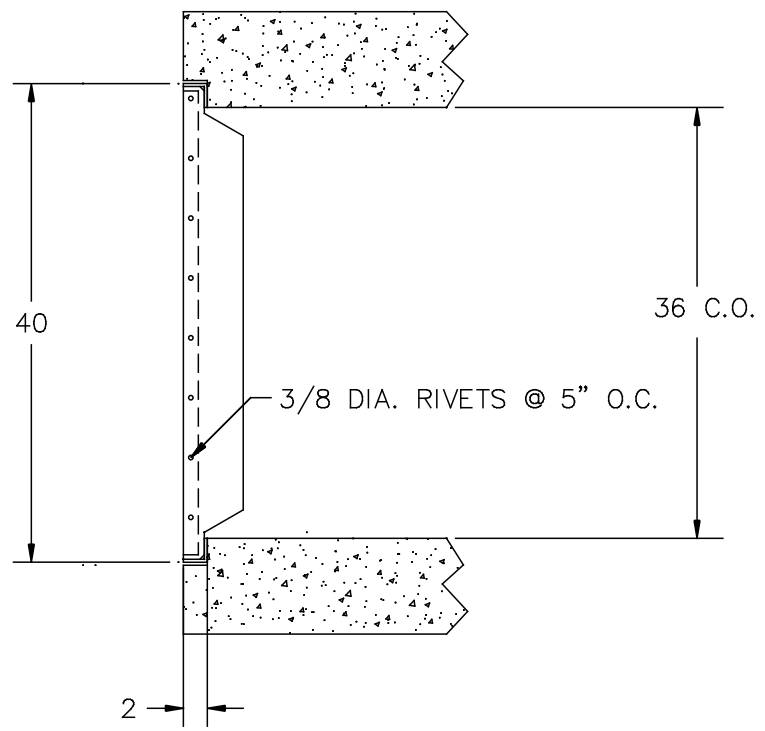


BEARING BARS 1/4 X 5 F.B.



- NOTES:
- 1- MATERIAL: STEEL, PAINTED TO F.D.O.T. SPECIFICATIONS.
 - 2- GALVINIZED UPON REQUEST.
 - 3- WEIGHT: 380 LBS. APP.
 - 4- LOADING: H-20 WHEEL LOADS.
 - 5- TYPE 'E' DITCH BOTTOM INLET.

3

U.S. FOUNDRY & MFG. CORP.			
MEDLEY, FLORIDA			
USF 6616 STEEL GRATE			
DWN. BY: DAV	SCALE: 1=12	QUOTE#	DATE: 2/17/97
CHK. BY:	DWG. NO: 2446	SHEET	REV: