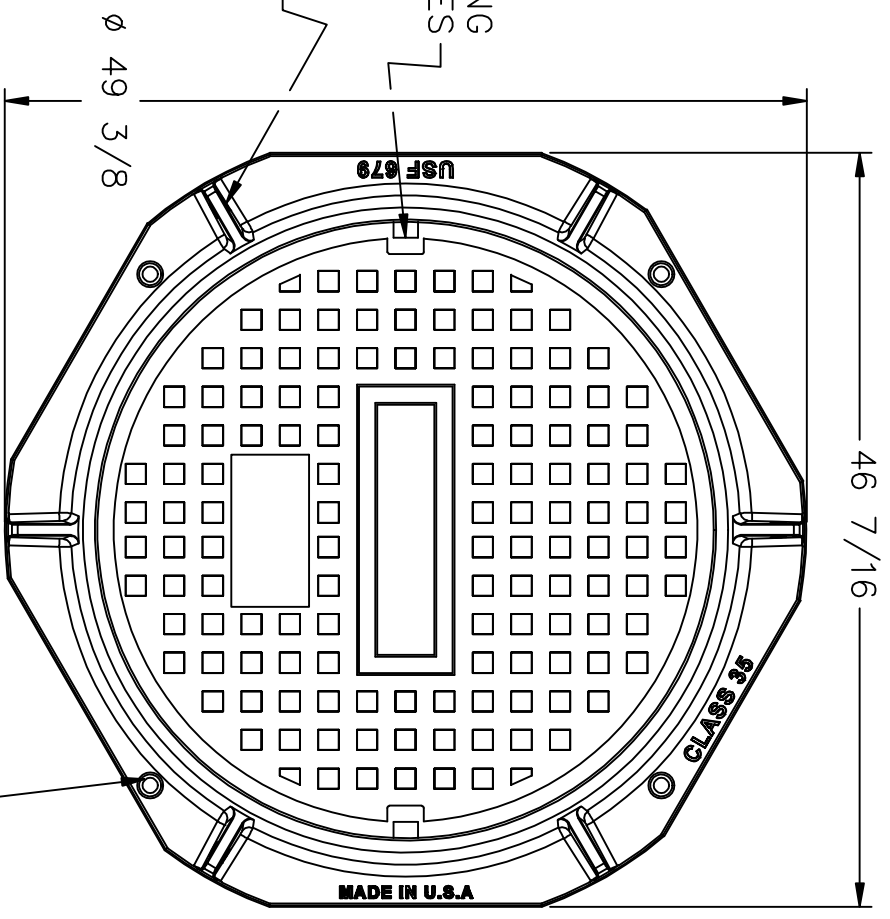
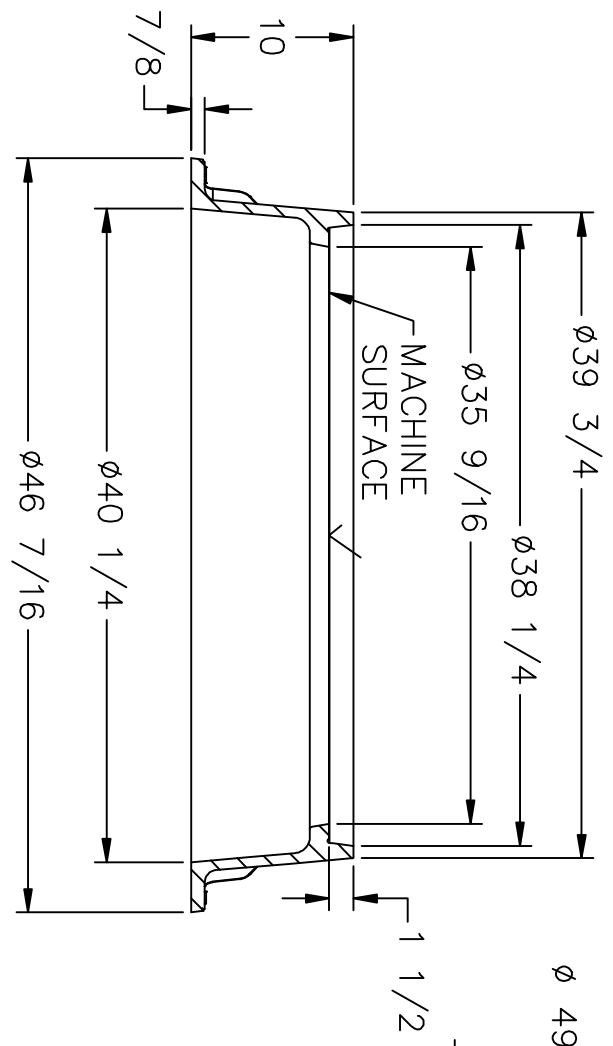


(2) - PENETRATING PICK HOLES

(6) - RIBS AND $\phi 1$ " LIFTING HOLES (3X)



(4) - $\phi 1$ " ANCHOR HOLES ON $\phi 44 \frac{1}{2}$ " BC

US FOUNDRY & MFG. CORP.
 8351 NW 93rd Street, Meeley, FL 33166-2025
 ph: 1-800-432-9709; fax: 305-887-9429
 www.usfoundry.com
 © 2010 US Foundry & Mfg. Corp. All Rights Reserved

USF 679 Ring & AZ Cover

LOAD CLASSIFICATION:	Heavy Duty
MATERIAL:	ASTM-A48 GRAY IRON CLASS35B
Ring No.:	8020105
WGT:	410
SCALE:	1" = 1"
Cover No.:	475
DATE:	3-23-04
DWN. BY:	ULS
REV:	DATE:
REV BY:	QUOTE#

UNLESS OTHERWISE NOTED WEIGHT IS IN POUNDS AND APPROXIMATED