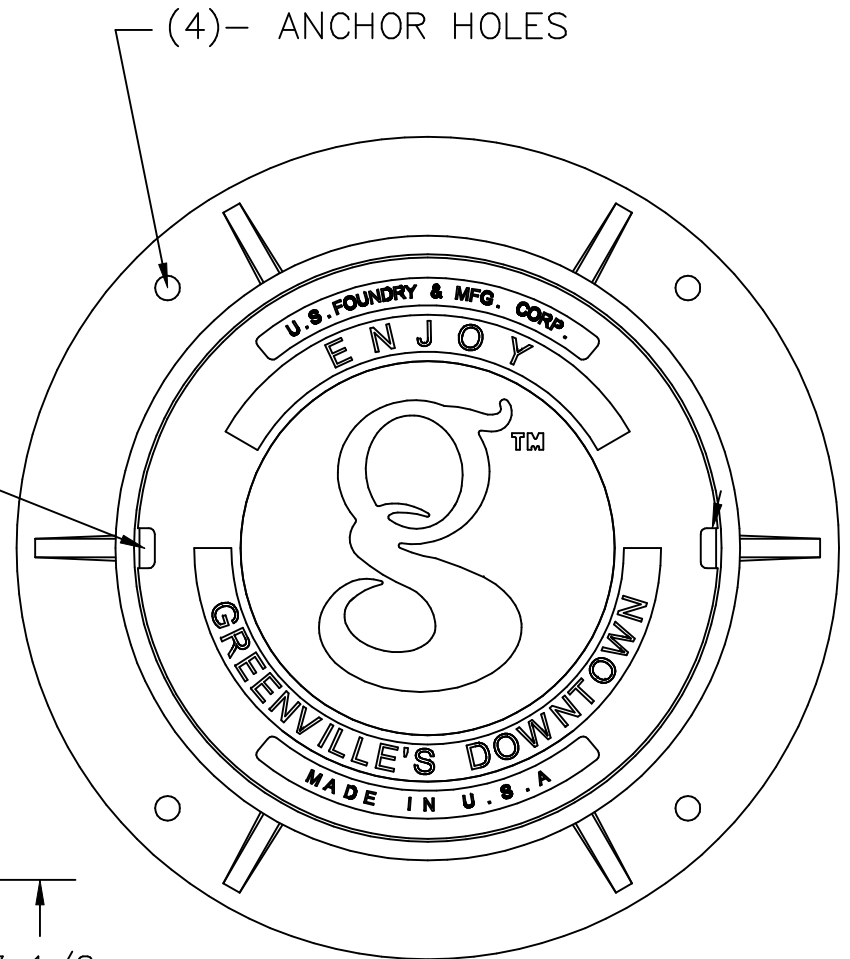
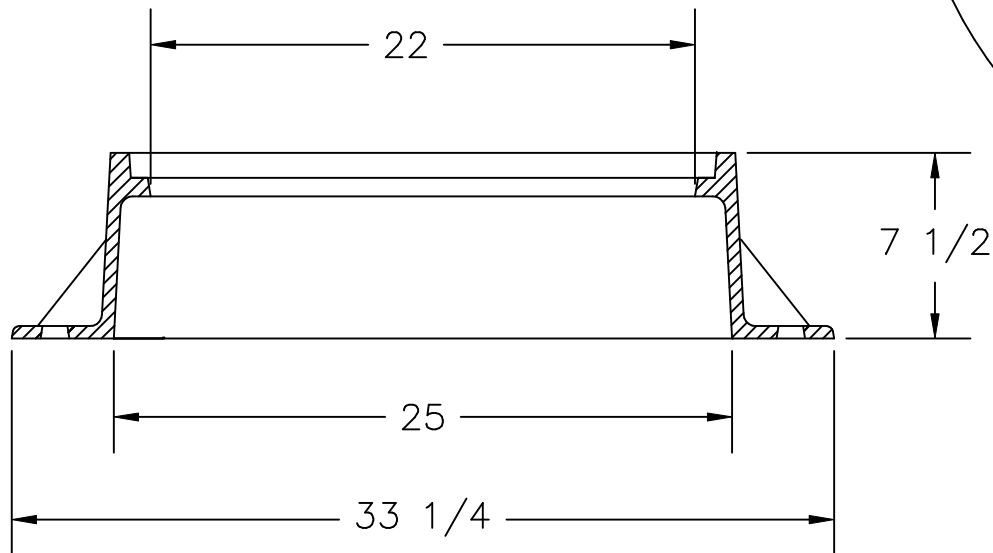


(2)– NON PENETRATING  
PICKHOLES



 **U.S. FOUNDRY & MFG. CORP.**  
MEDLEY, FLORIDA

DESCRIPTION:  
USF 668 RING & OK COVER

MATERIAL: ASTM-A48 GRAY IRON CLASS: 35B

RING WEIGHT: 160 COVER WEIGHT: 130

UNLESS OTHERWISE NOTED WEIGHT IS IN POUNDS AND APPROXIMATED

DWN. BY: ULS	SCALE: 1/8" = 1"	ITEM No:	DWG. No:	DWG DATE: 10-17-07
REV:	CHK. BY:			REV:

REV:	DATE:	DESCRIPTION:	REV BY:	CHK. BY:
------	-------	--------------	---------	----------