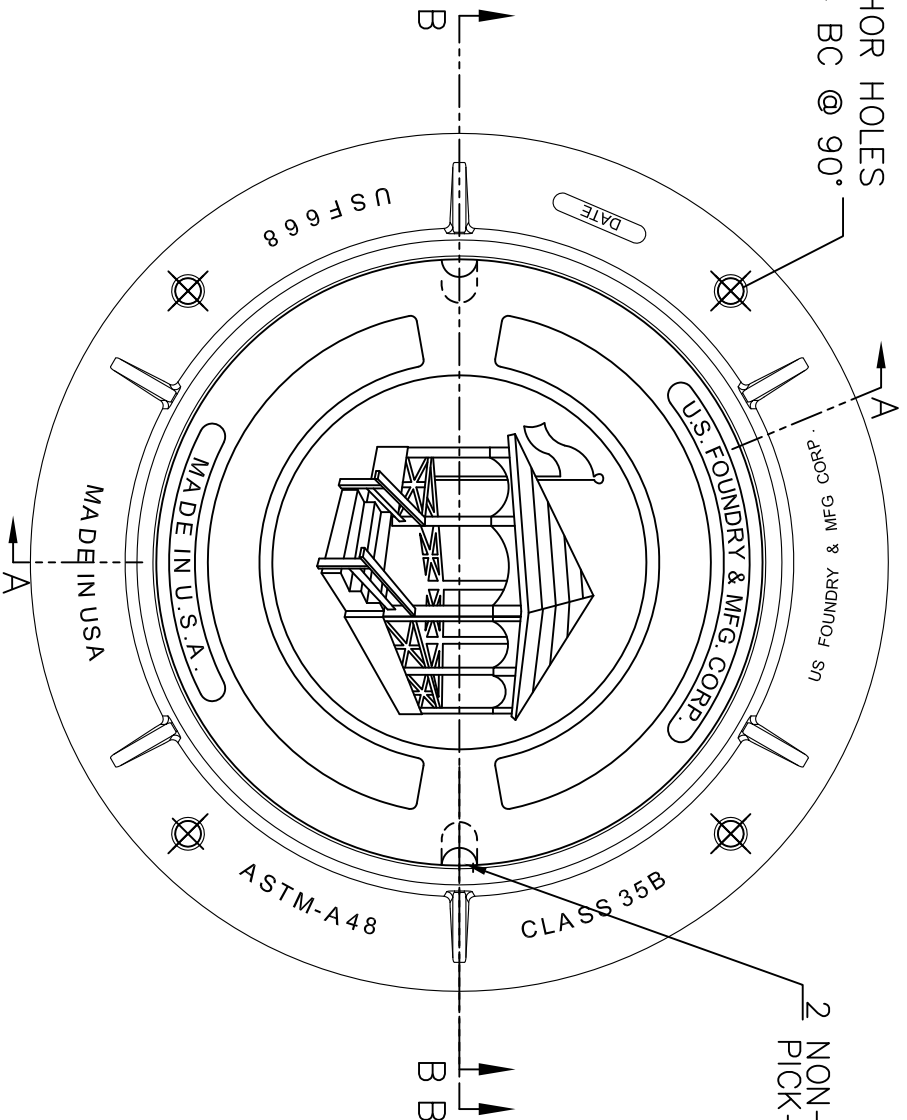
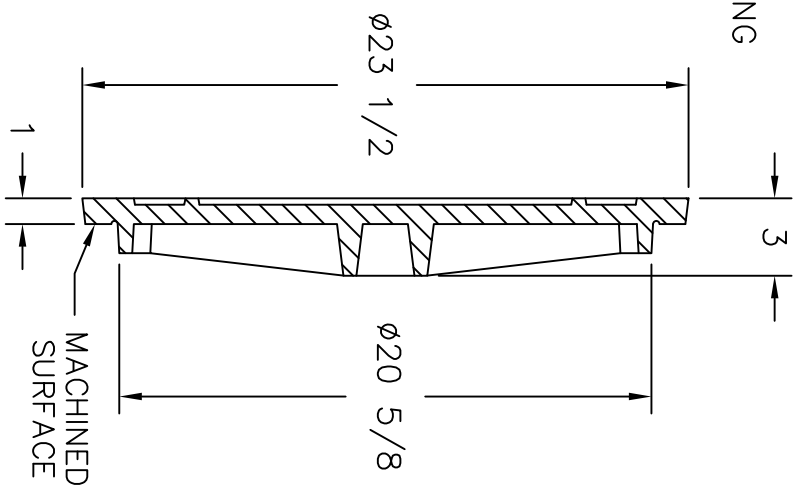


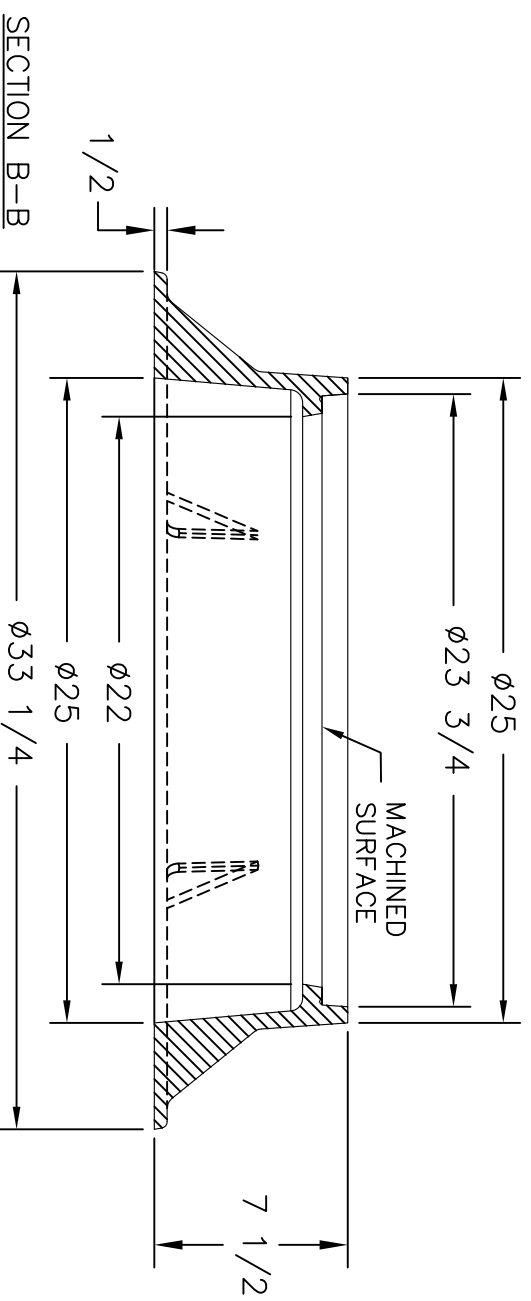
4X  $\phi 1"$  ANCHOR HOLES  
 $\phi 29$  3/4 BC @ 90°



2 NON-PENETRATING  
 PICK-HOLES



SECTION A-A (Cover)



SECTION B-B

**US FOUNDRY & MFG. CORP.**  
 8351 NW 93rd Street, Medley, FL 33166-2025  
 ph: 1-800-432-9709; fax: 305-887-9429  
 www.usfoundry.com  
 © 2010 US Foundry & Mfg. Corp. All Rights Reserved

**USF 668 RING & NJ COVER**

LOAD CLASSIFICATION: Heavy Duty	
MATERIAL: ASTM-A48 GRAY IRON CLASS35B	
Ring No: 8020190	WGHT: 160
Cover No: 125	SCALE: 1/8"=1"
	DATE: 125
	DNW. BY: ULS
UNLESS OTHERWISE NOTED WEIGHTS IN POUNDS AND APPROXIMATED	
REV:	DATE: REV BY: QUOTE#