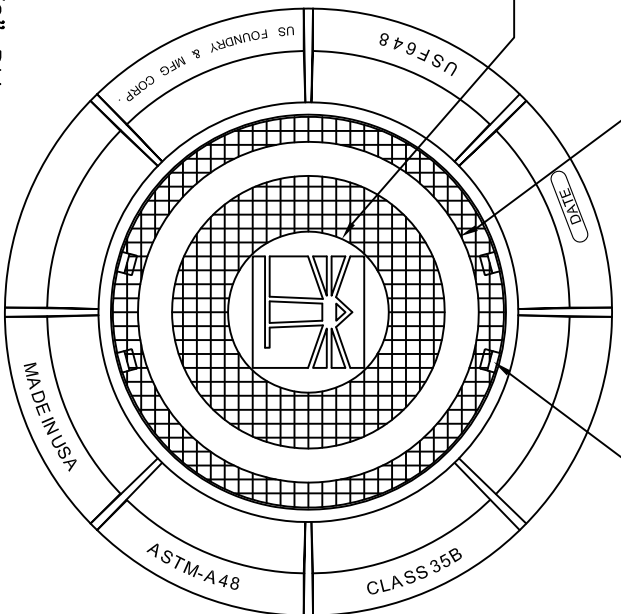
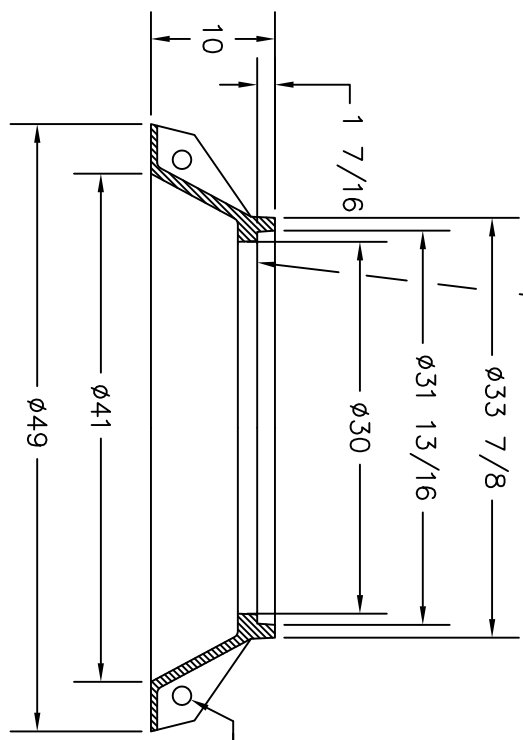


(4) NON-PENETRATING PICKHOLES
 2" HIGH RAISED LETTERS
 13" DIA.



MACHINED SURFACE



RING

US FOUNDRY & MFG. CORP.
 8351 NW 93rd Street, Medley, FL 33166-2025
 ph: 1-800-432-9709, fax: 305-887-9429
 www.usfoundry.com

© 2010 US Foundry & Mfg. Corp. All Rights Reserved

USF 648 RING & ZB COVER

LOAD CLASSIFICATION: Heavy Duty	
MATERIAL: ASTM-A48 GRAY IRON CLASS35B	
Ring No: 8020005	WGHT: 385 SCALE: 1" = 1"
Cover No: 340	DATE:
	CHK. BY: JM

UNLESS OTHERWISE NOTED WEIGHT IS IN POUNDS AND APPROXIMATED

REV: DATE: REV BY: QUOTE#