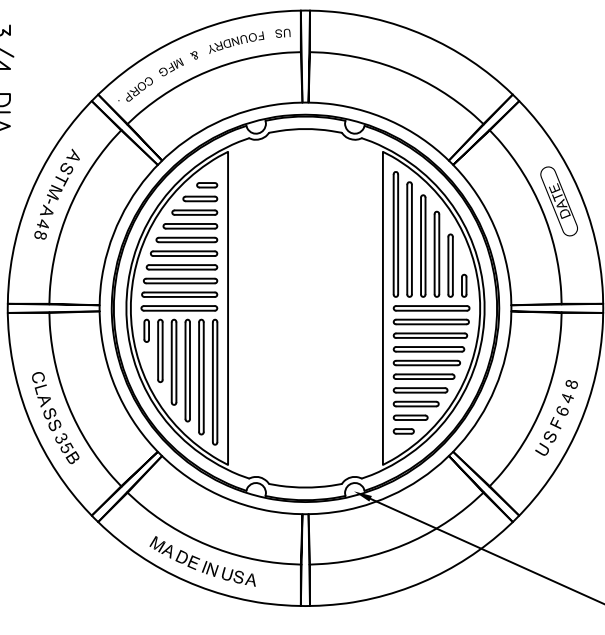
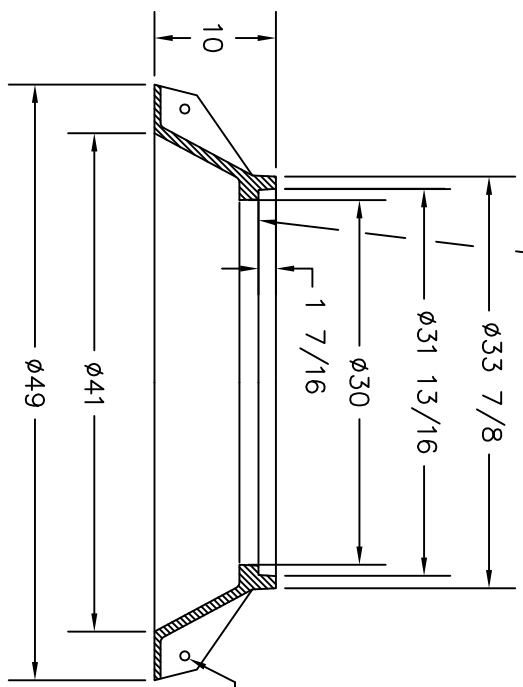


(4)-PENETRATING PICKHOLES



MACHINED SURFACE



3/4 DIA. LIFTING HOLE

US FOUNDRY & MFG. CORP.  
 8351 NW 93rd Street, Medley, FL 33166-2025  
 ph: 1-800-432-9709; Fax: 305-887-9429  
 www.usfoundry.com  
 © 2010 US Foundry & Mfg. Corp. All Rights Reserved  
**USF 648 RING & ZA COVER**

LOAD CLASSIFICATION: Heavy Duty	
MATERIAL: ASTM-A48 GRAY IRON CLASS35B	SCALE: 1" = 1"
Ring No: 8020005	Wt: 385
Cover No: 340	DATE:
OWN BY: DBB	
UNLESS OTHERWISE NOTED WEIGHT IS IN POUNDS AND APPROXIMATED	
REV:	DATE:
REV BY:	QUOTE#