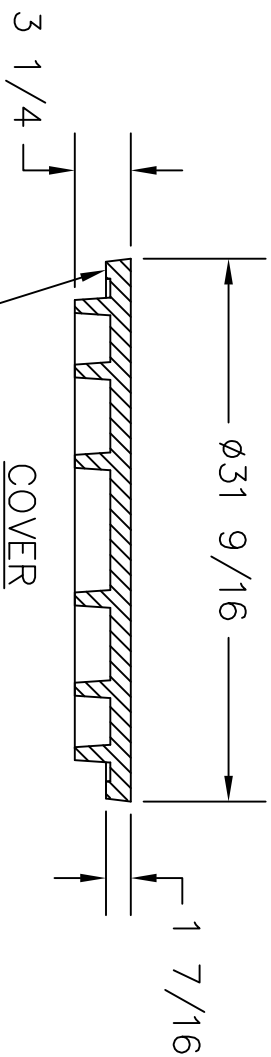
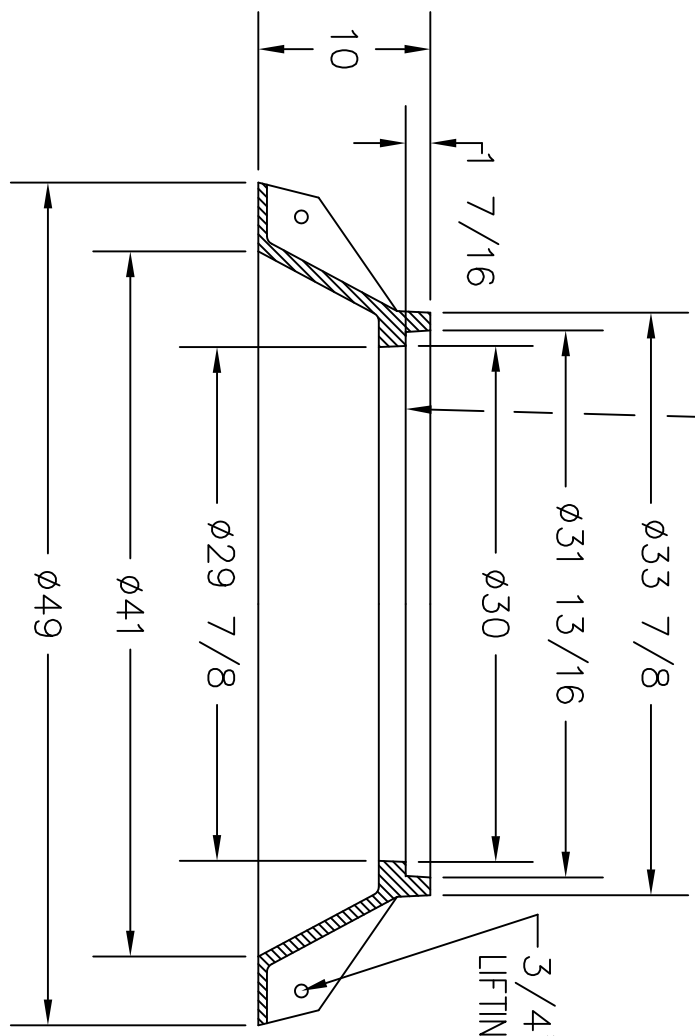
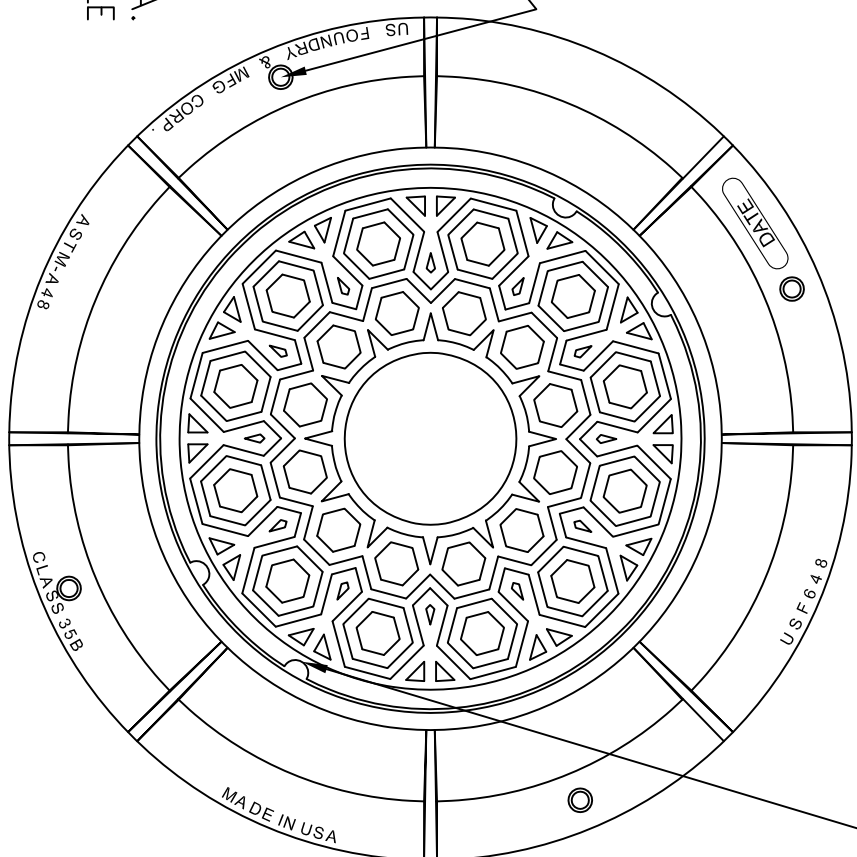


(4)-PENETRATING PICKHOLES



(4)- $\phi$  1" BOLT  
HOLES ON 45  $\frac{1}{2}$ " B.C.D.

3/4" DIA.  
LIFTING HOLE



**US FOUNDRY & MFG. CORP.**  
8351 NW 93rd Street, Medley, FL 33166-2025  
ph: 1-800-432-9709; fax: 305-887-9429  
www.usfoundry.com

© 2010 US Foundry & Mfg. Corp. All Rights Reserved

**USF 648 RING & Y COVER**

LOAD CLASSIFICATION: Heavy Duty	
MATERIAL: ASTM-A48 GRAY IRON	CLASS35B
Ring No: 8020005	WGHT: 385
Scale: 1"=1"	
Cover No: 315	DATE:
DATE:	DNW. BY: DBB
UNLESS OTHERWISE NOTED WEIGHT IS IN POUNDS AND APPROXIMATED	
REV:	DATE:
REV BY:	QUOTE#