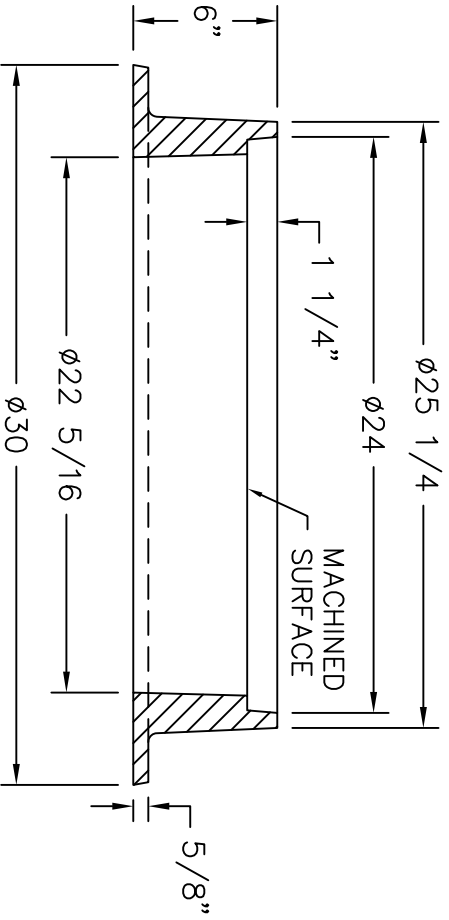
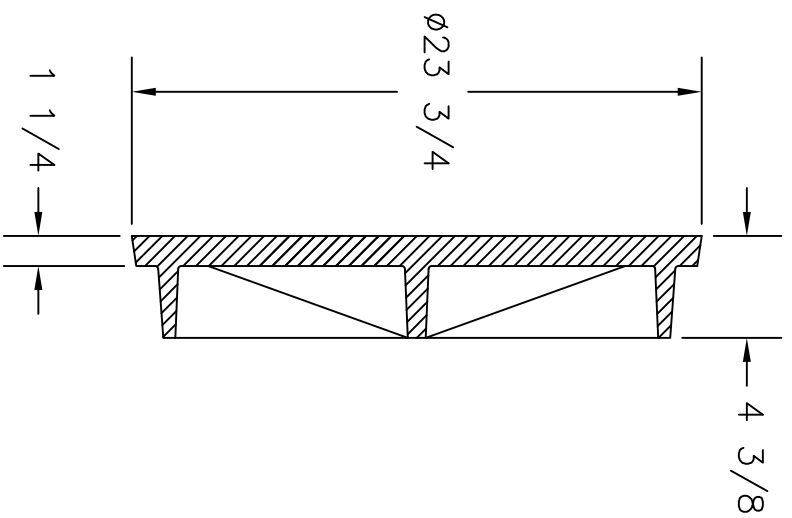



(4) - NON PENETRATING PICKHOLES



SECTION B-B
(630_Ring)

 <p>US FOUNDRY & MFG. CORP. 8351 NW 93rd Street, Medley, FL 33166-2025 ph: 1-800-432-9709; fax: 305-887-9429 www.usfoundry.com © 2010 US Foundry & Mfg. Corp. All Rights Reserved</p>	
USF 630 RING & X COVER	
LOAD CLASSIFICATION: Heavy Duty	
MATERIAL: ASTM-A48 GRAY IRON CLASS35B	
Ring No: 8020175	WGHT: 190
Cover No: 200	SCALE: 1/8"=1"
	DATE:
	DRN. BY: ULS
UNLESS OTHERWISE NOTED WEIGHT IS IN POUNDS AND APPROXIMATED	
REV:	DATE:
REV BY:	QUOTE#