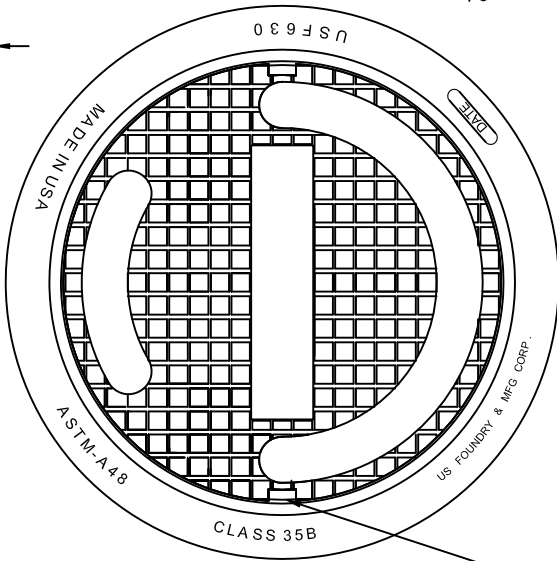
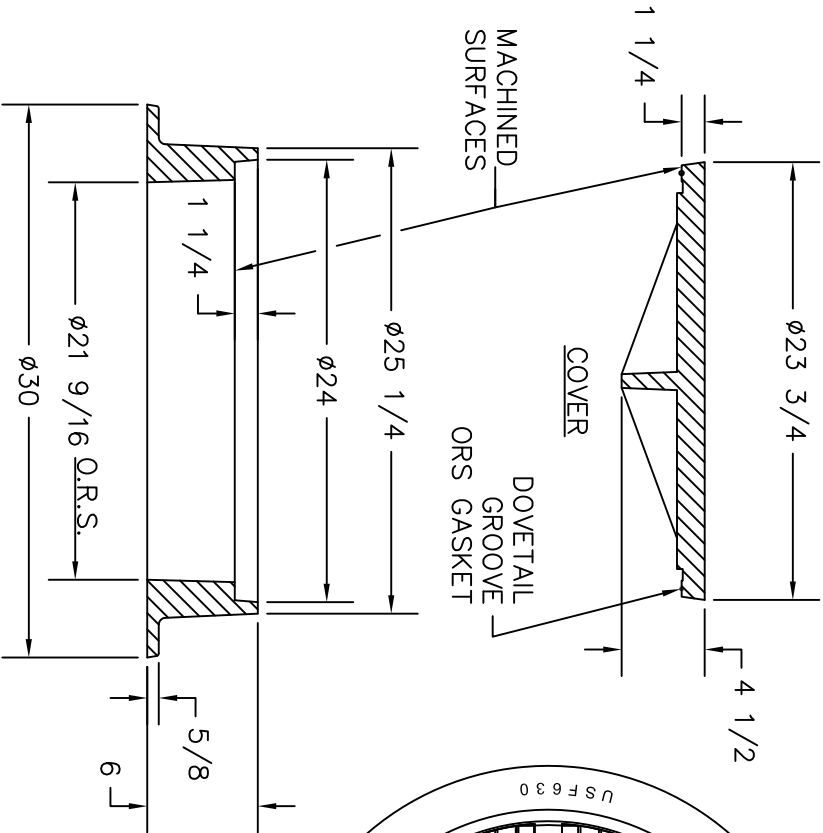


2 NON PENETRATING
PICKHOLES



US FOUNDRY & MFG. CORP.
8351 NW 93rd Street, Medley, FL 33166-2025
ph: 1-800-432-9709; fax: 305-887-2429
www.usfoundry.com
© 2010 US Foundry & Mfg. Corp. All Rights Reserved

USF 630 RING & W COVER ORS

LOAD CLASSIFICATION: Heavy Duty

MATERIAL: ASTM-A48 GRAY IRON CLASS35B
Ring No: 8020195 WGT: 220 SCALE: 1/8"=1"
Cover No: 165 DATE: _____

UNLESS OTHERWISE NOTED WEIGHTS IN POUNDS AND APPROXIMATE

REV: _____ DATE: _____ REV BY: _____ QUOTE# _____

NOTES:
1 - RING O.R.S APPLICATION