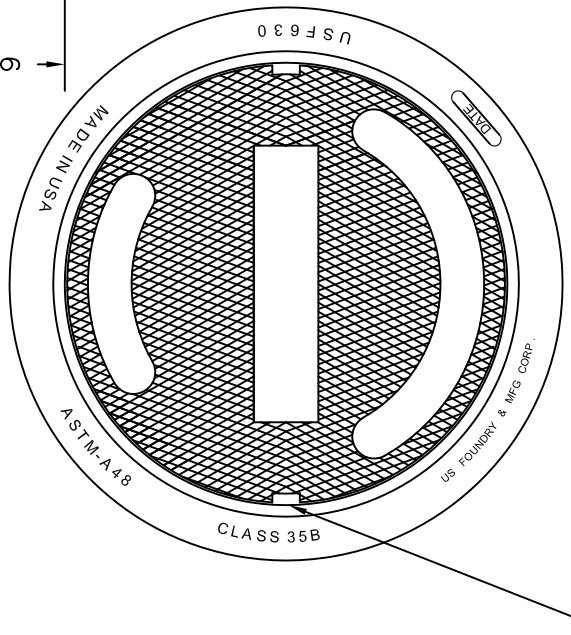
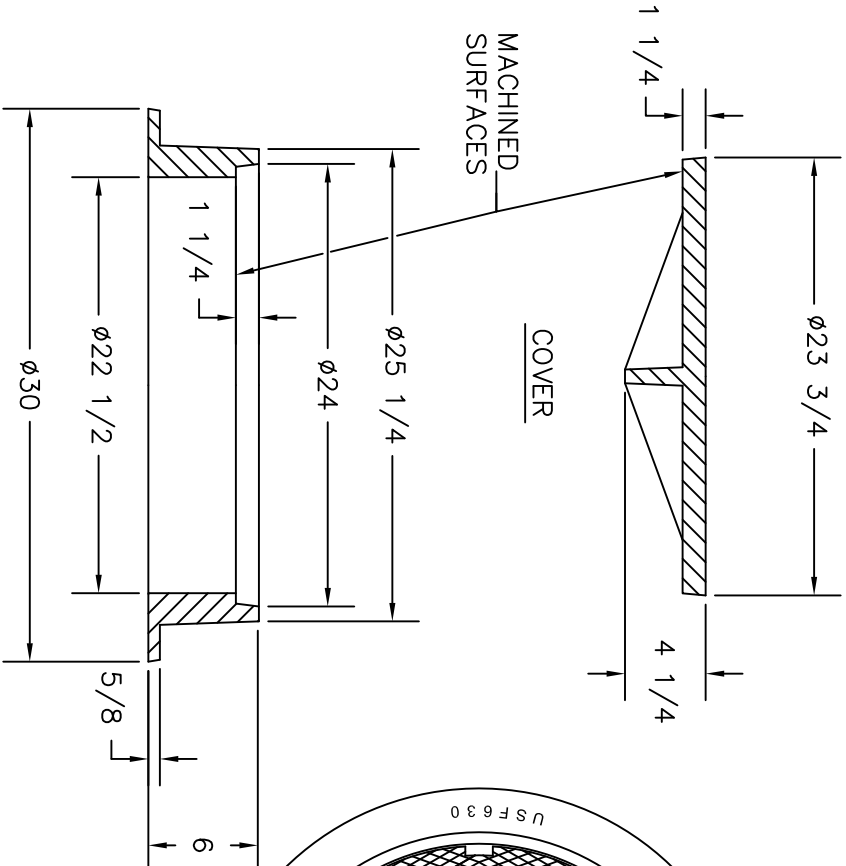


2 NON PENETRATING PICKHOLES
SEE DWG. NO. 1005-1



US FOUNDRY & MFG. CORP.
8351 NW 93rd Street, Medley, FL 33166-2025
ph: 1-800-432-9700- fax: 305-887-2429
www.usfoundry.com
© 2010 US Foundry & Mfg. Corp. All Rights Reserved

USF 630 RING & CE COVER

LOAD CLASSIFICATION: Heavy Duty

MATERIAL: ASTM-A48 GRAY IRON CLASS35B
Ring No: 8020175 WGT: 190 SCALE: 1/8"=1"
Cover No: 145 DATE:

UNLESS OTHERWISE NOTED WEIGHTS IN POUNDS AND APPROXIMATED
REV: DATE: REV BY: QUOTE#

DATE: REV BY: QUOTE#