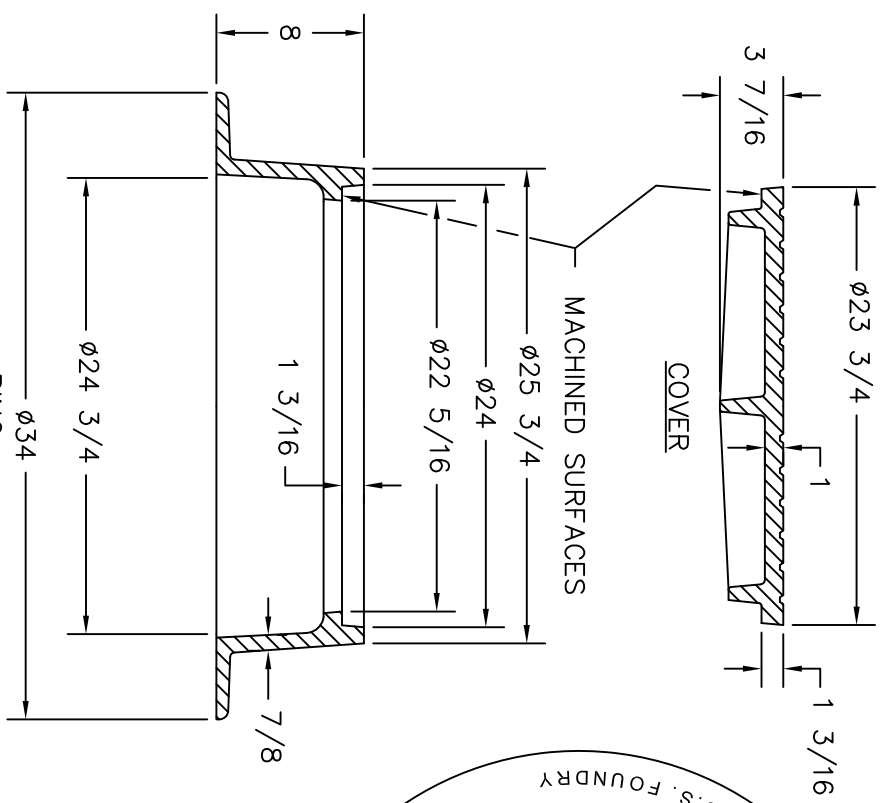
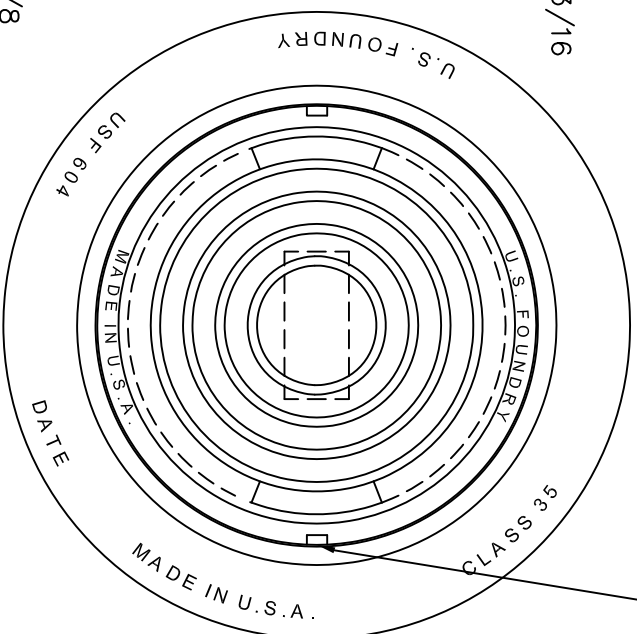



2-NON PENETRATING
PICK HOLES.



"AU" COPE

 <p>U.S. FOUNDRY & MFG. CORP. 8351 NW 93rd Street, Medley, FL 33166-2025 ph: 1-800-432-9709; fax: 305-887-2429 www.usfoundry.com</p>	
<p>© 2010 US Foundry & Mfg. Corp. All Rights Reserved</p>	
<p>USF 604 RING & AU COVER</p>	
LOAD CLASSIFICATION:	Heavy Duty
MATERIAL:	ASTM-A48 GRAY IRON CLASS35B
Ring No:	8020172
Weight:	235
Scale:	1/8"=1"
Cover No:	150
DATE:	
DATE:	
REV BY:	HJF
UNLESS OTHERWISE NOTED WEIGHT IS IN POUNDS AND APPROXIMATE	QUOTE#