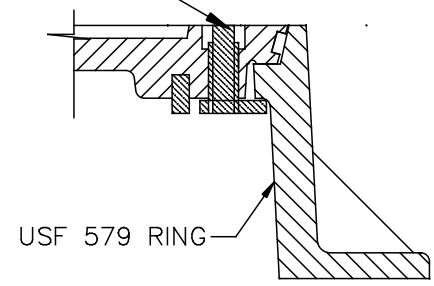
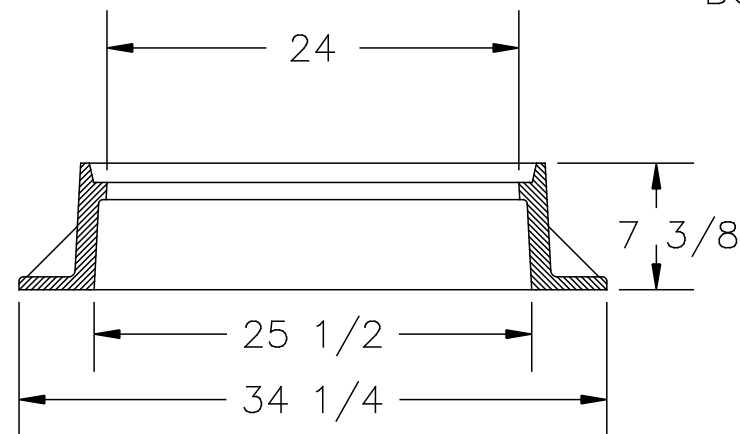


(2) S.S. PENTAGON HEAD BOLT LOCKING DEVICE



CAM-LOCK DETAIL
(SECTION THRU LOCKING DEVICE)

NOTES:

- 1- MATERIAL, ASTM-A48 CLASS 35B GRAY IRON
- 2- RING WT: 245 LBS. APP.
- 3- COVER WT: 175 LBS. APP.

U.S. FOUNDRY & MFG. CORP. MIAMI, FLORIDA	
USF 579 RING & USF DC-SSG-LOC COVER	
DWN. BY: JWS	DATE: 3/20/96
CHK. BY:	DWG. NO: A3563