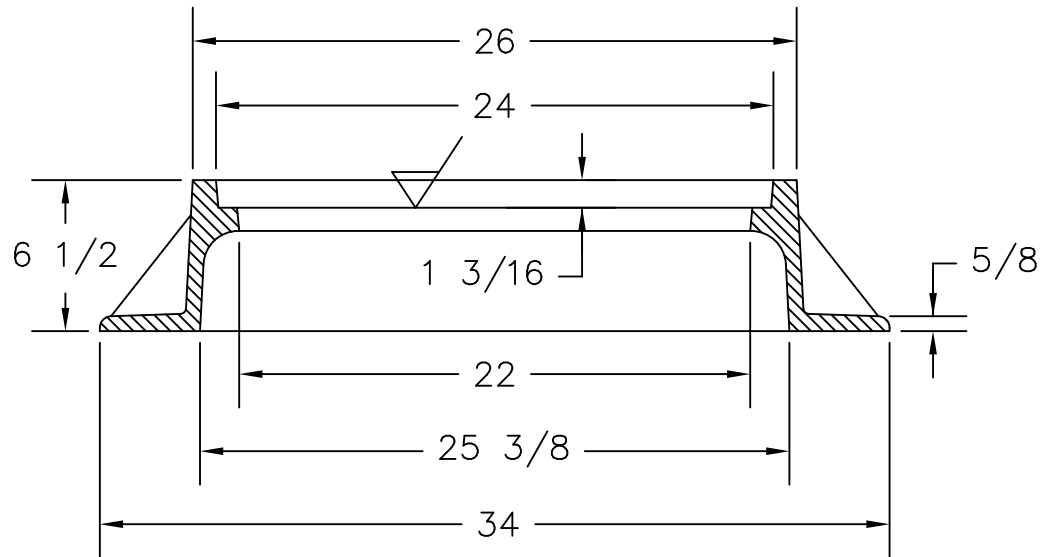


(2) NON-PENETRATING PICKHOLES



US FOUNDRY & MFG. CORP.
 8351 NW 93rd Street, Medley, FL 33166-2025
 ph: 1-800-432-9709; fax: 305-887-9429
 www.usfoundry.com
 © 2013 US Foundry & Mfg. Corp. All Rights Reserved

USF 578 Ring & DL Cover

LOAD CLASSIFICATION: Heavy Duty		
MATERIAL: ASTM-A48 GRAY IRON CLASS 35B		
Ring No:	8020169	SCALE:
Cover No:		DATE:
		11/21/1994
		OWN. BY:
		JM/AB
REV: 0	DATE:	REV BY:
		QUOTE#