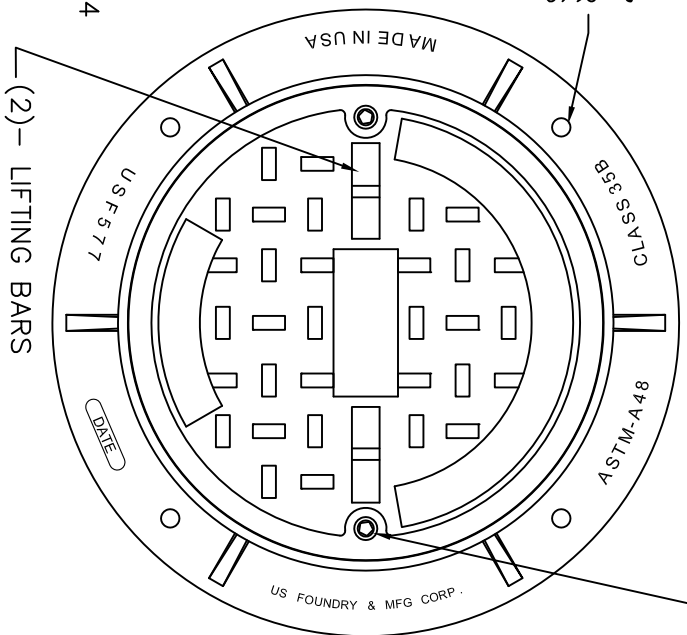
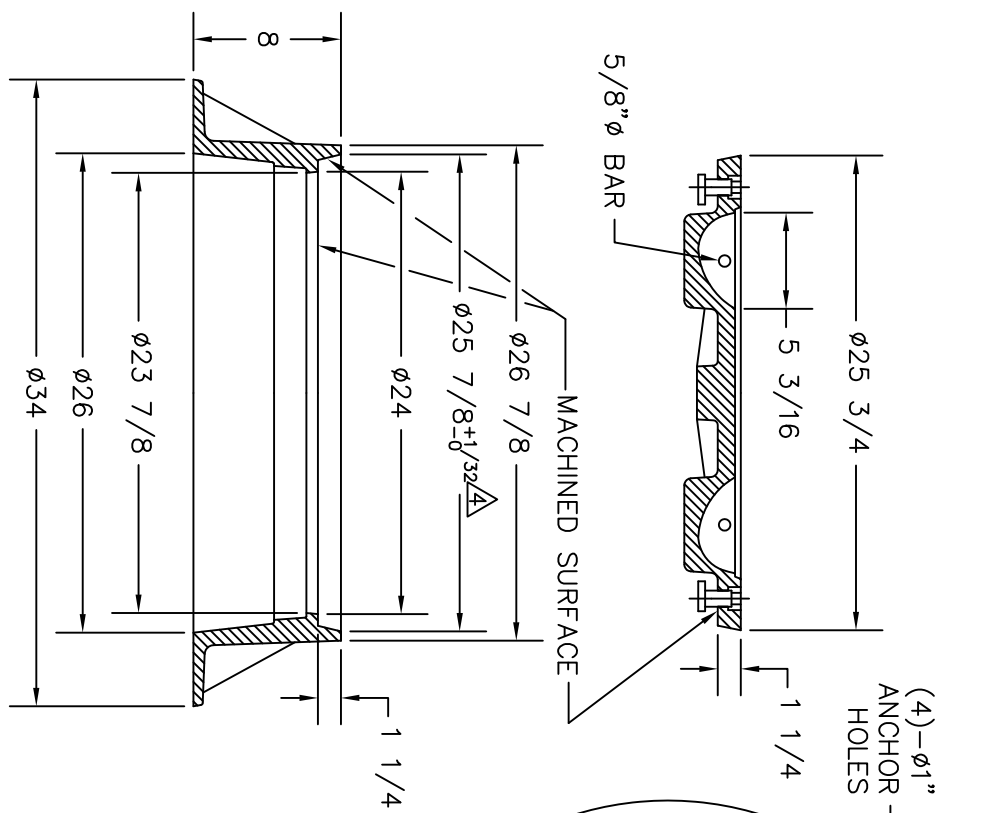


(2) S.S. PENTAGON HEAD
BOLT LOCKING DEVICE



US FOUNDRY & MFG. CORP.
 8351 NW 93rd Street, Medley, FL 33166-2025
 ph: 1-800-432-9709; fax: 305-887-9429
 www.usfoundry.com
 © 2010 US Foundry & Mfg. Corp. All Rights Reserved

USF 577 RING & BI COVER
 (W/CAM-LOC)

LOAD CLASSIFICATION: Heavy Duty

MATERIAL: ASTM-A48 GRAY IRON CLASS 35B
 Ring No: 8020168 WHT: 215 SCALE: 1/8"=1"
 Cover No: 150 DATE: _____

UNLESS OTHERWISE NOTED WEIGHTS IN POUNDS AND APPROXIMATE
 REV: _____ DATE: _____ REV BY: _____ QUOTE # _____
 PWT: DBB/NR