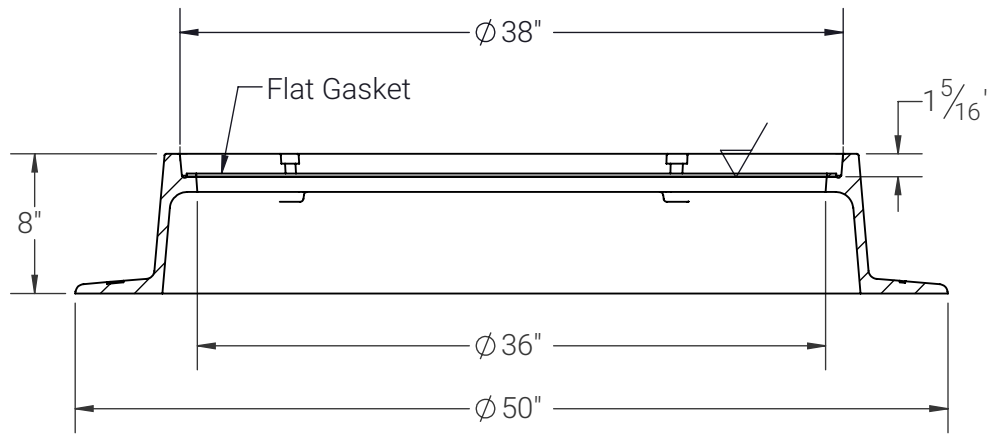
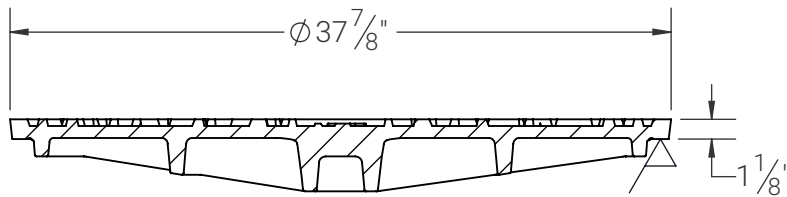
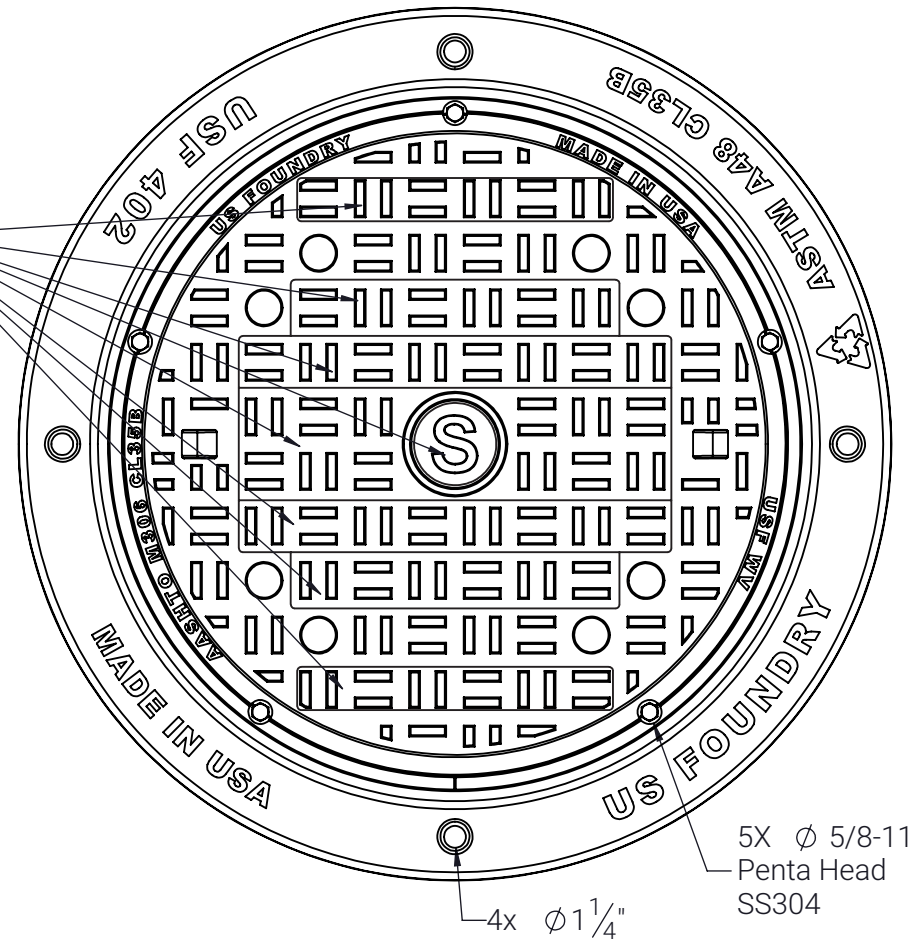


THE INFORMATION CONTAINED IN THIS DRAWING IS THE SOLE PROPERTY OF U.S. FOUNDRY & MANUFACTURING CORP. ANY REPRODUCTION IN PART OR AS A WHOLE WITHOUT THE WRITTEN PERMISSION OF U.S. FOUNDRY & MANUFACTURING CORP. IS PROHIBITED. U.S. FOUNDRY & MANUFACTURING CORP. RESERVES THE RIGHT TO MAKE MODIFICATIONS TO DESIGN WITHOUT PRIOR NOTICE. DRAWING IS UNCONTROLLED WHEN PRINTED. WEIGHTS AND DIMENSIONS ARE PROVIDED FOR REFERENCE ONLY © US FOUNDRY AN EAGLE MANUFACTURING COMPANY



Available Nameplates



US FOUNDRY

AN EAGLE MANUFACTURING COMPANY © 2017 All Rights Reserved

8351 NW 93rd Street
Medley, FL, 33166-2025
ph: 1-800-432-9709
fax: 305-887-9429
www.usfoundry.com

USF 402 Ring & WV Cover

LOAD CLASSIFICATION:		Heavy Duty
MATERIAL:		Gray Cast Iron AASHTO M306 Class 35B
ITEM:	BAAN #	DRAWING
Ring		
Cover		DATE 8/2/2017
Assembly		DRAWN BY ULS/OD
REV	DATE	REV BY QUOTE #
0		

For a complete product offering please visit us at www.usfoundry.com

Customer Drawing