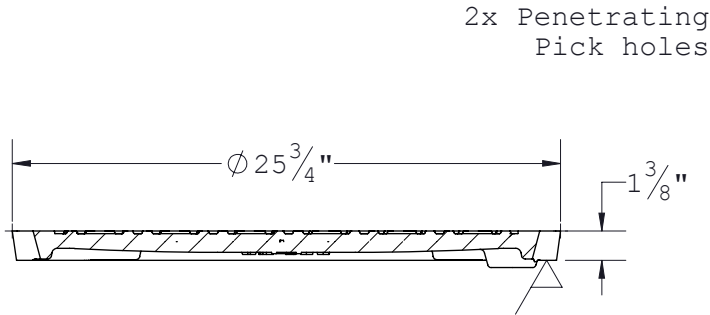
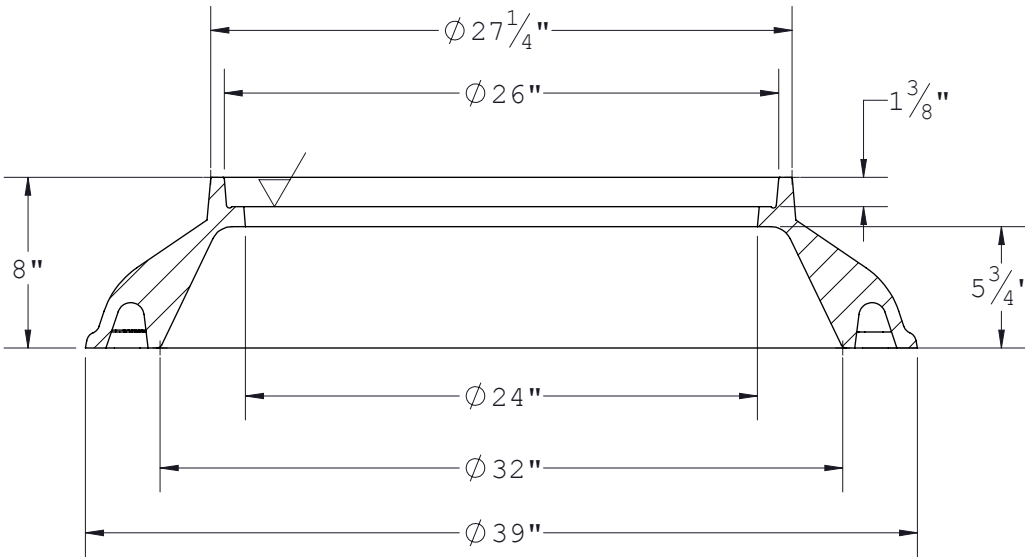
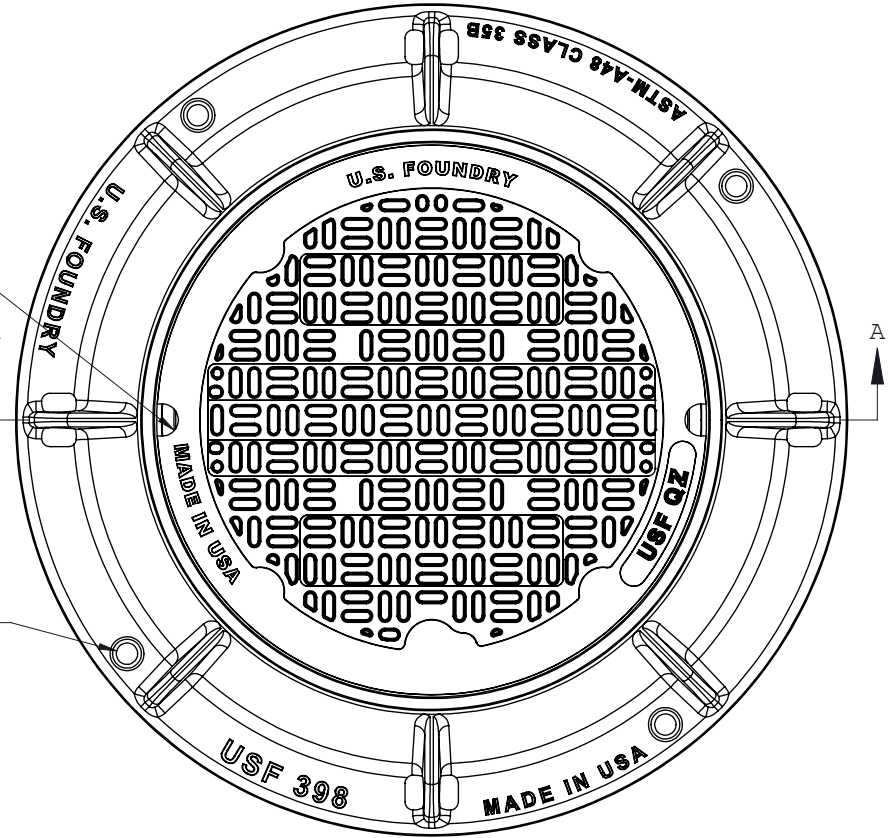


THE INFORMATION CONTAINED IN THIS DRAWING IS THE SOLE PROPERTY OF U.S. FOUNDRY & MANUFACTURING CORP. ANY REPRODUCTION IN PART OR AS A WHOLE WITHOUT THE WRITTEN PERMISSION OF U.S. FOUNDRY & MANUFACTURING CORP. IS PROHIBITED. U.S. FOUNDRY & MANUFACTURING CORP. RESERVES THE RIGHT TO MAKE MODIFICATIONS TO DESIGN WITHOUT PRIOR NOTICE. DRAWING IS UNCONTROLLED WHEN PRINTED. WEIGHTS AND DIMENSIONS ARE PROVIDED FOR REFERENCE ONLY © 2014 US FOUNDRY AN EAGLE MANUFACTURING COMPANY



2x Penetrating Pick holes

4x  $\phi 1$ " Anchor Holes



SECTION A-A



**US FOUNDRY**

AN EAGLE MANUFACTURING COMPANY © 2014 All Rights Reserved

8351 NW 93rd Street  
Medley, FL, 33166-2025  
ph: 1-800-432-9709  
fax: 305-887-9429  
www.usfoundry.com

### USF 398 Ring & QZ Cover

LOAD CLASSIFICATION:		Heavy Duty	
MATERIAL:		Gray Cast Iron ASTM-A48 Class 35B	
ITEM:	BAAN #	DRAWING	
Ring	8021958	USF QZ	
		DATE	
		6/9/2015	
		DRAWN BY	
		ULS	
REV	0	DATE	QUOTE #

Customer Drawing