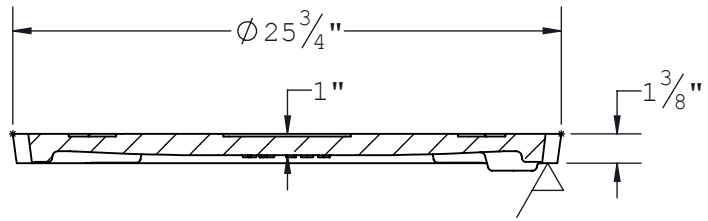
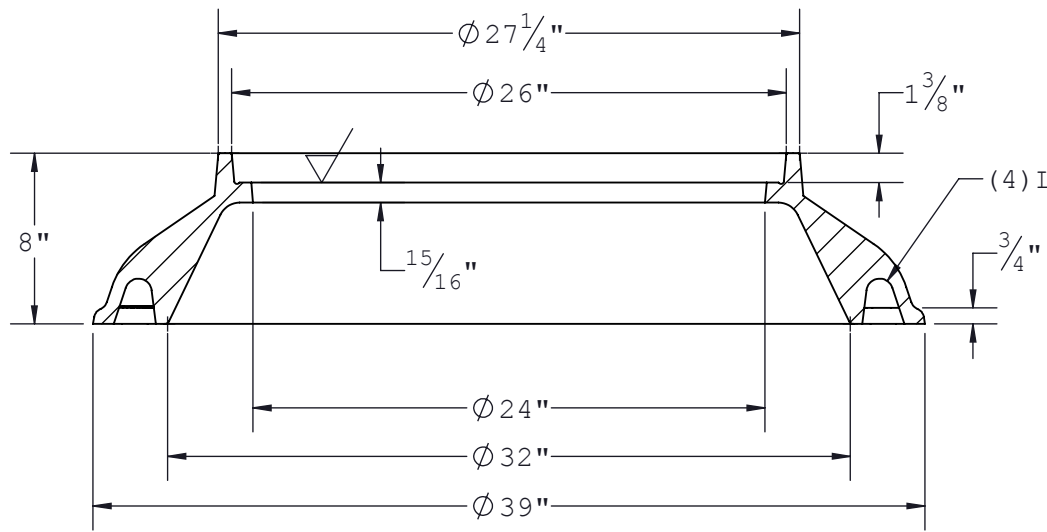
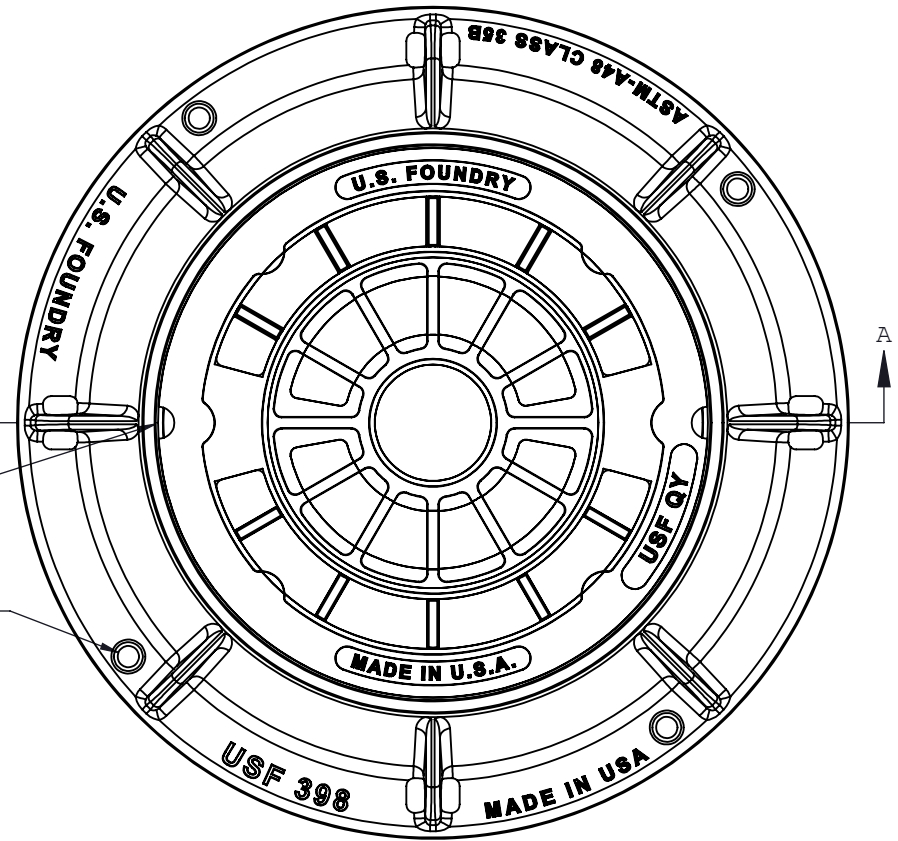


THE INFORMATION CONTAINED IN THIS DRAWING IS THE SOLE PROPERTY OF U.S. FOUNDRY & MANUFACTURING CORP. ANY REPRODUCTION IN PART OR AS A WHOLE WITHOUT THE WRITTEN PERMISSION OF U.S. FOUNDRY & MANUFACTURING CORP. IS PROHIBITED. U.S. FOUNDRY & MANUFACTURING CORP. RESERVES THE RIGHT TO MAKE MODIFICATIONS TO DESIGN WITHOUT PRIOR NOTICE. DRAWING IS UNCONTROLLED WHEN PRINTED. WEIGHTS AND DIMENSIONS ARE PROVIDED FOR REFERENCE ONLY © 2015 US FOUNDRY AN EAGLE MANUFACTURING COMPANY



(2) Penetrating Pick Holes

(4) Ø1" Anchor Holes



SECTION A-A

8351 NW 93rd Street  
 Medley, FL, 33166-2025  
 ph: 1-800-432-9709  
 fax: 305-887-9429  
 www.usfoundry.com  
 AN EAGLE MANUFACTURING COMPANY © 2015 All Rights Reserved

### USF 398 Ring & QY Cover

LOAD CLASSIFICATION: Heavy Duty		
MATERIAL: Gray Cast Iron AASHTO-M306 Class 35B		
ITEM: Ring	BAAN # 8021958	DRAWING USF 398-QY
ITEM: Cover		DATE 6/5/2015
		DRAWN BY AB/ULS
REV 0	DATE	REV BY QUOTE #

Customer Drawing