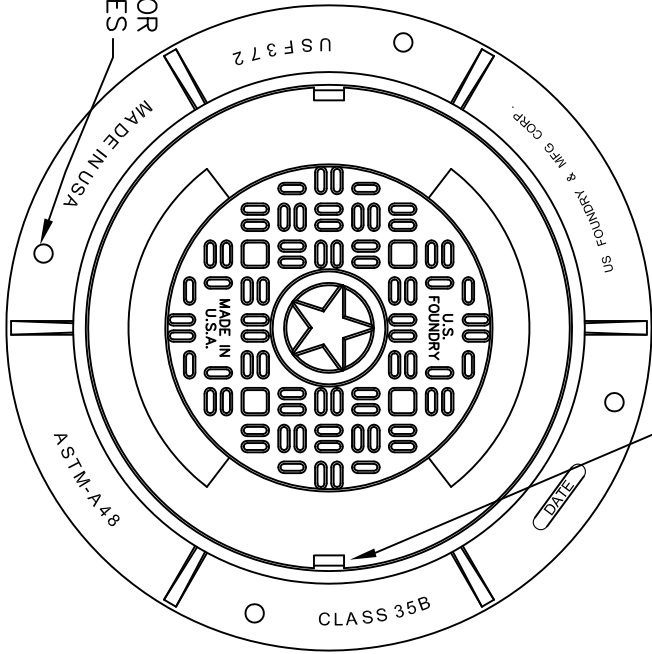
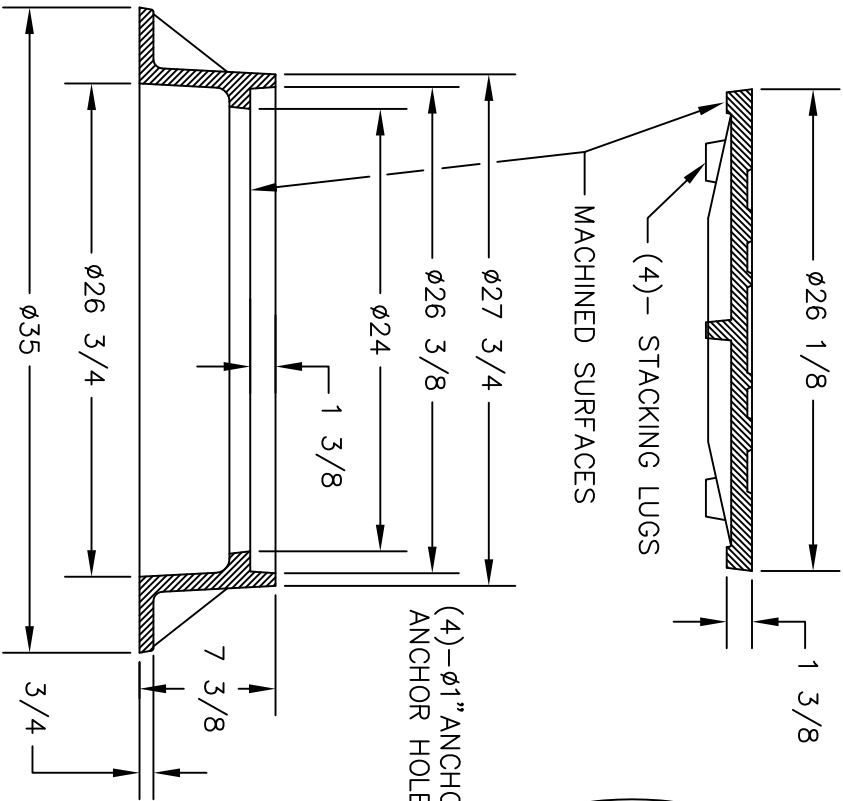


(2) - NON-PENETRATING PICKHOLES



US FOUNDRY & MFG. CORP.  
 8351 NW 93rd Street, Medley, FL 33166-2025  
 Ph: 1-800-443-9709; Fax: 305-887-9429  
 www.usfoundry.com

USF 372 RING & DU COVER

LOAD CLASSIFICATION: Heavy Duty

MATERIAL: ASTM-A48 GRAY IRON CLASS35B

Ring No: 8020429 | WHT: 215 | SCALE: 1/8"=1"

Cover No: 155 | DATE:

DATE: | REV BY: | DBB/NR

UNLESS OTHERWISE NOTED, WEIGHT IS IN POUNDS AND APPROXIMATED QUOTE#