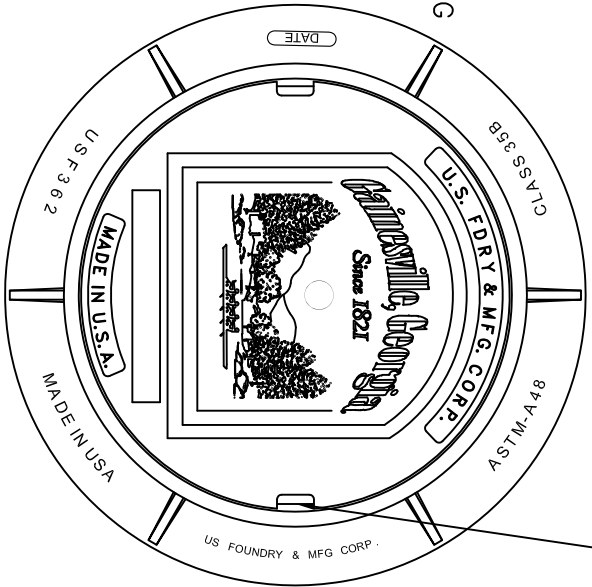
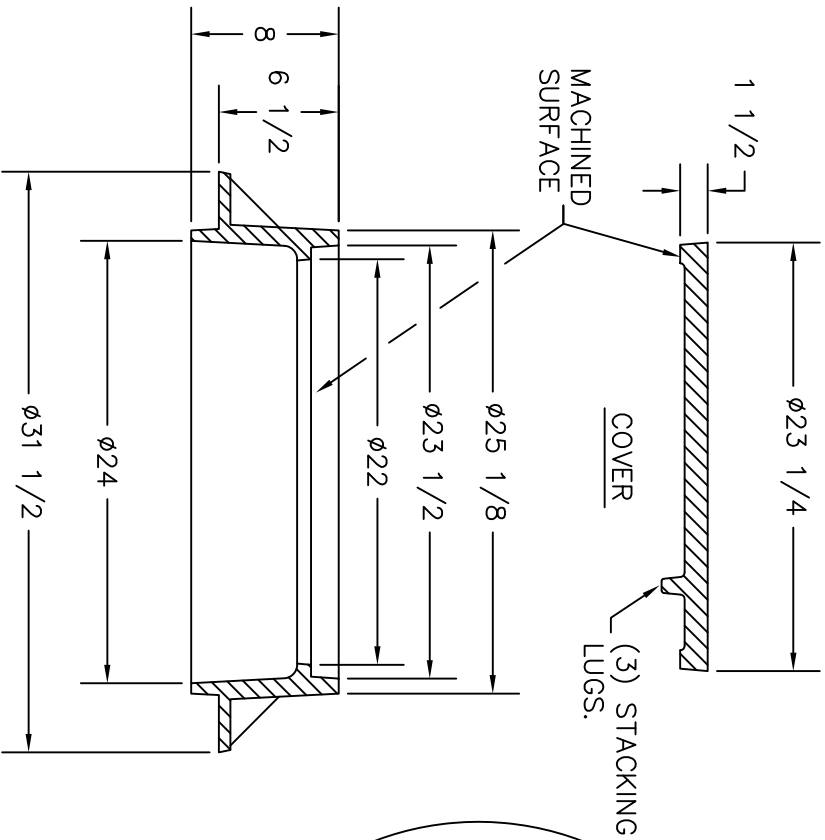


(2) - NON PENETRATING PICKHOLES




US FOUNDRY & MFG. CORP.
 8351 NW 93rd Street, Mearley, FL 33166-2025
 Ph: 1-800-643-9709; fax: 305-887-9429
 www.usfoundry.com
 © 2010 US Foundry & Mfg. Corp. All Rights Reserved

USF 362 RING & LH COVER
 (CK DRAG)

LOAD CLASSIFICATION: Heavy Duty

MATERIAL: ASTM-A48 GRAY IRON	CLASS: 35B
Ring No: 8020029	WGT: 200
Cover No: 130	SCALE: 1/8" = 1"
	DATE:
	DATE:

UNLESS OTHERWISE NOTED WEIGHT IS IN POUNDS AND APPROXIMATED
 REV: DATE: REV BY: QUOTE#