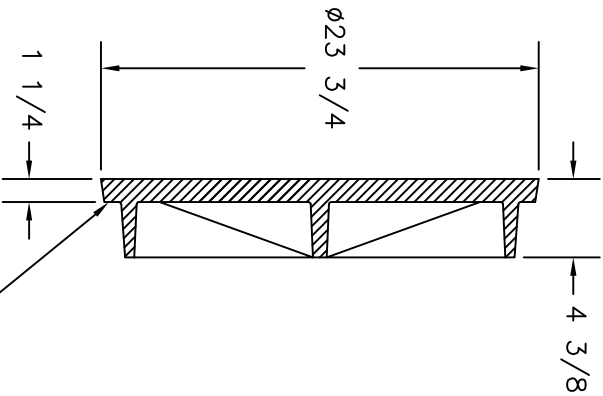
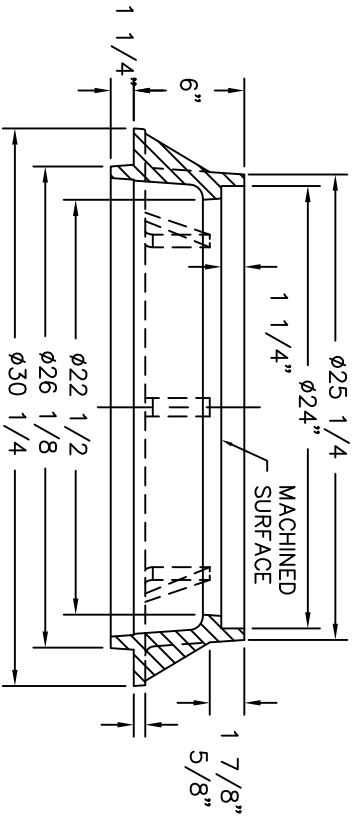


(4) - NON PENETRATING PICKHOLES



MACHINED SURFACE



SECTION B-B
(360_Ring)

US FOUNDRY & MFG. CORP.
 8351 NW 93rd Street, Moulton, FL 33166-2025
 ph: 1-800-432-9700; fax: 305-887-9429
 www.usfoundry.com
 © 2010 US Foundry & Mfg. Corp. All Rights Reserved

USF 360 RING & X COVER

LOAD CLASSIFICATION: Heavy Duty

MATERIAL: ASTM-A48 GRAY IRON CLASS35B
 Ring No: 8020137 WGT: 170 SCALE: 1/8"=1"
 Cover No: 200 DATE:

UNLESS OTHERWISE NOTED WEIGHT IS IN POUNDS AND APPROXIMATED
 REV: DATE: REV BY: QUOTE#