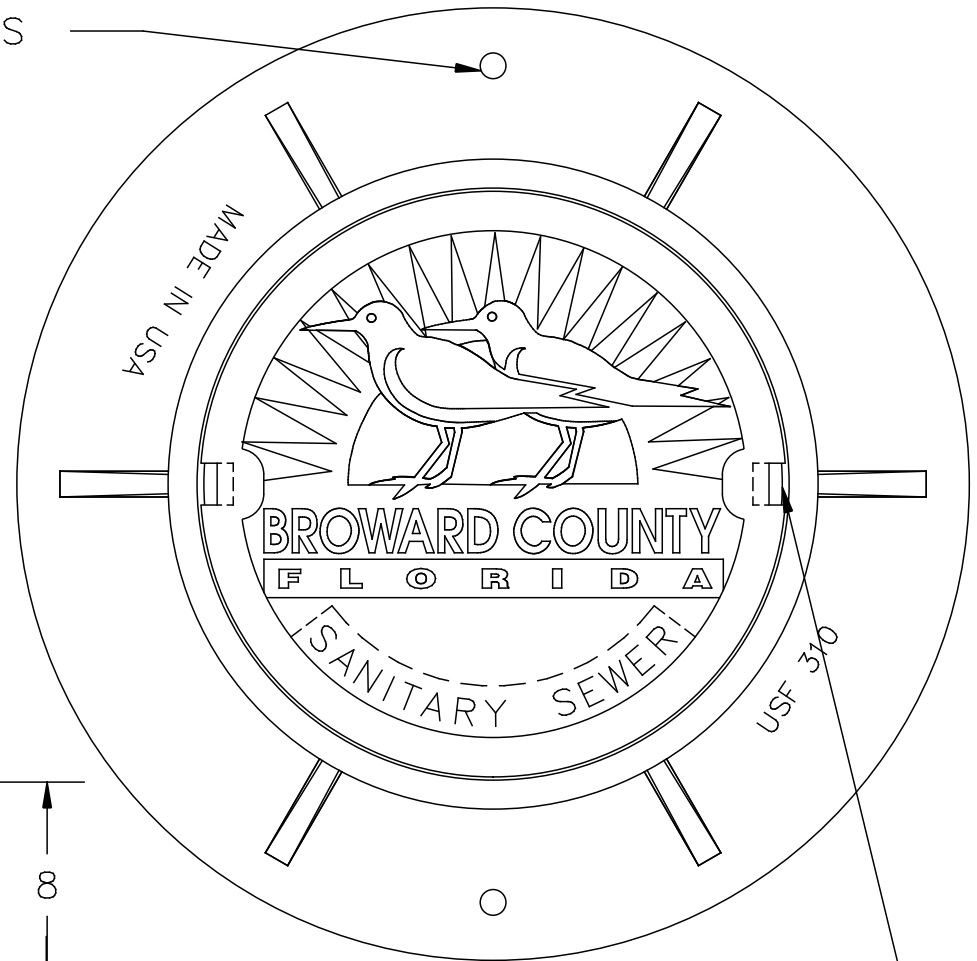
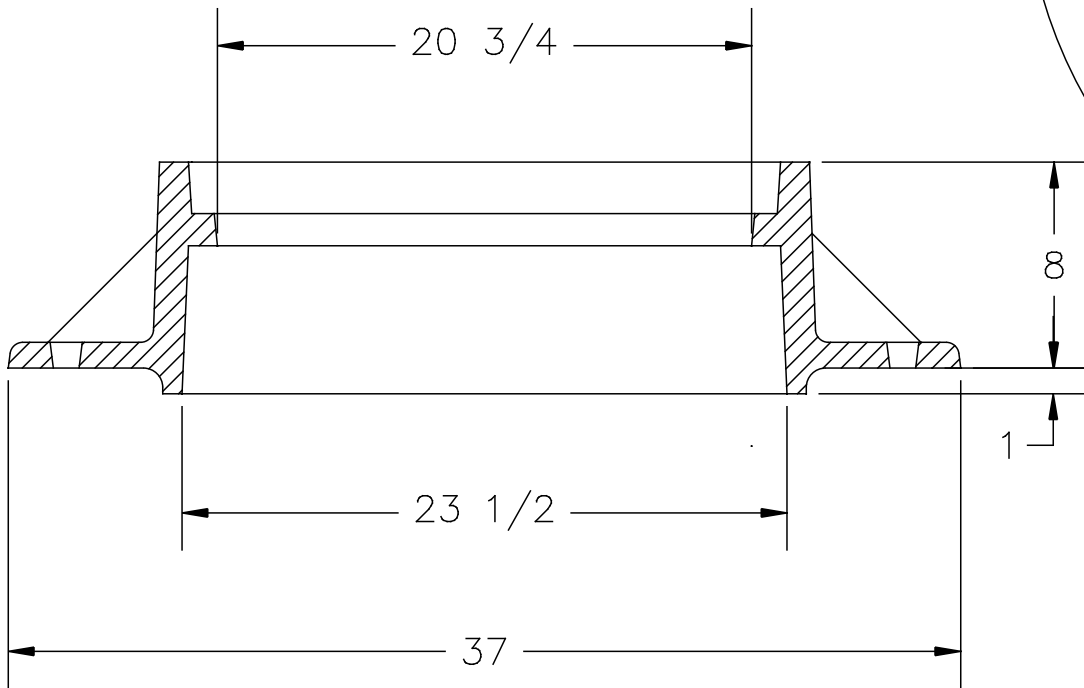
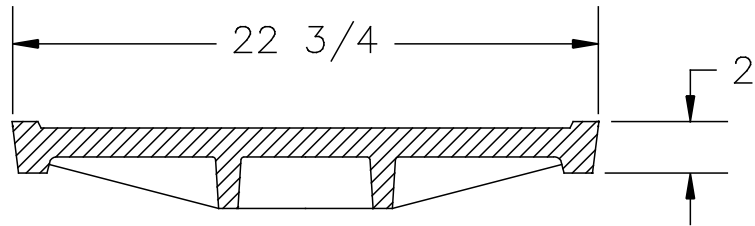


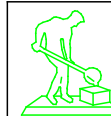
(2) - 1" DIA. ANCHOR HOLES



(2) NON-PENETRATING PICKHOLES

NOTES:

- 1- MATERIAL: ASTM-A48 CLASS 35B GRAY IRON
- 2- RING WT: 365 LBS. APP.
- 3- COVER WT: 155 LBS. APP.



U.S. FOUNDRY & MFG. CORP.
 MEDLEY, FLORIDA

USF 310 RING & DX COVER

| | | |
|--------------|------------------|--------------|
| DWN. BY: DBB | SCALE: 1/8" = 1" | DATE: 2/2/98 |
| CHK. BY: | DWG. NO: A4000 | REV: |