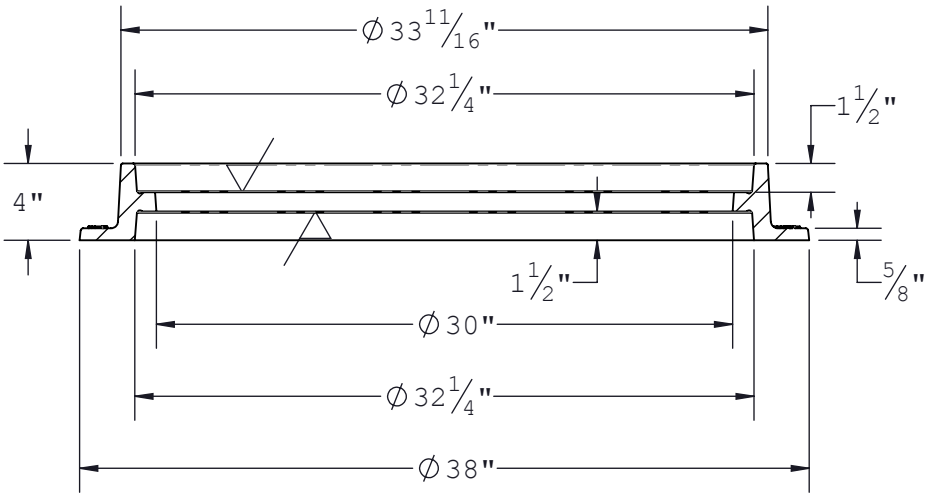
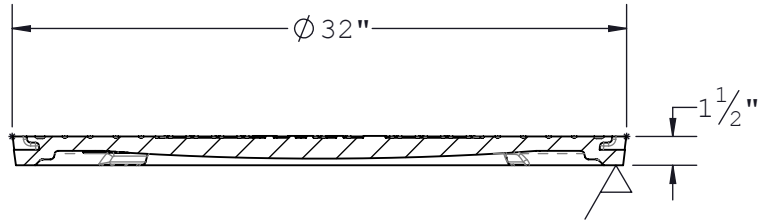
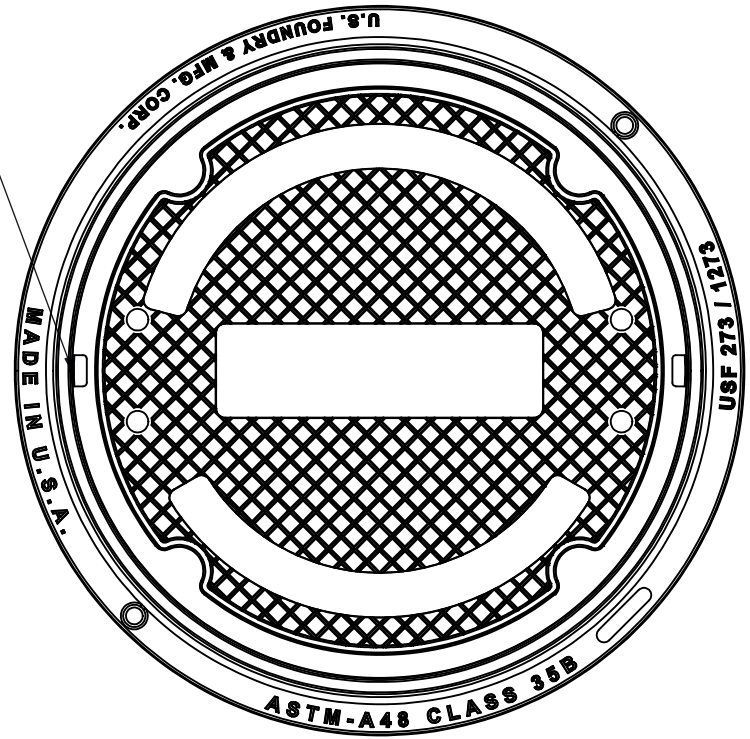


THE INFORMATION CONTAINED IN THIS DRAWING IS THE SOLE PROPERTY OF U.S. FOUNDRY & MANUFACTURING CORP. ANY REPRODUCTION IN PART OR AS A WHOLE WITHOUT THE WRITTEN PERMISSION OF U.S. FOUNDRY & MANUFACTURING CORP. IS PROHIBITED. U.S. FOUNDRY & MANUFACTURING CORP. RESERVES THE RIGHT TO MAKE MODIFICATIONS TO DESIGN WITHOUT PRIOR NOTICE. DRAWING IS UNCONTROLLED WHEN PRINTED. WEIGHTS AND DIMENSIONS ARE PROVIDED FOR REFERENCE ONLY © 2014 US FOUNDRY AN EAGLE MANUFACTURING COMPANY

2x Non Penetrating Pick Holes



SECTION A-A



US FOUNDRY

AN EAGLE MANUFACTURING COMPANY © 2014 All Rights Reserved

8351 NW 93rd Street
Medley, FL, 33166-2025
ph: 1-800-432-9709
fax: 305-887-9429
www.usfoundry.com

USF 273 Ring & RV Cover

LOAD CLASSIFICATION:		Heavy Duty
MATERIAL:		Gray Cast Iron ASTM-A48 Class 35B
ITEM:	BAAN #	DRAWING
Ring	8020794	
Cover		DATE
		5/7/2014
		DRAWN BY
		AB
REV	0	DATE
		REV BY
		QUOTE #

Customer Drawing