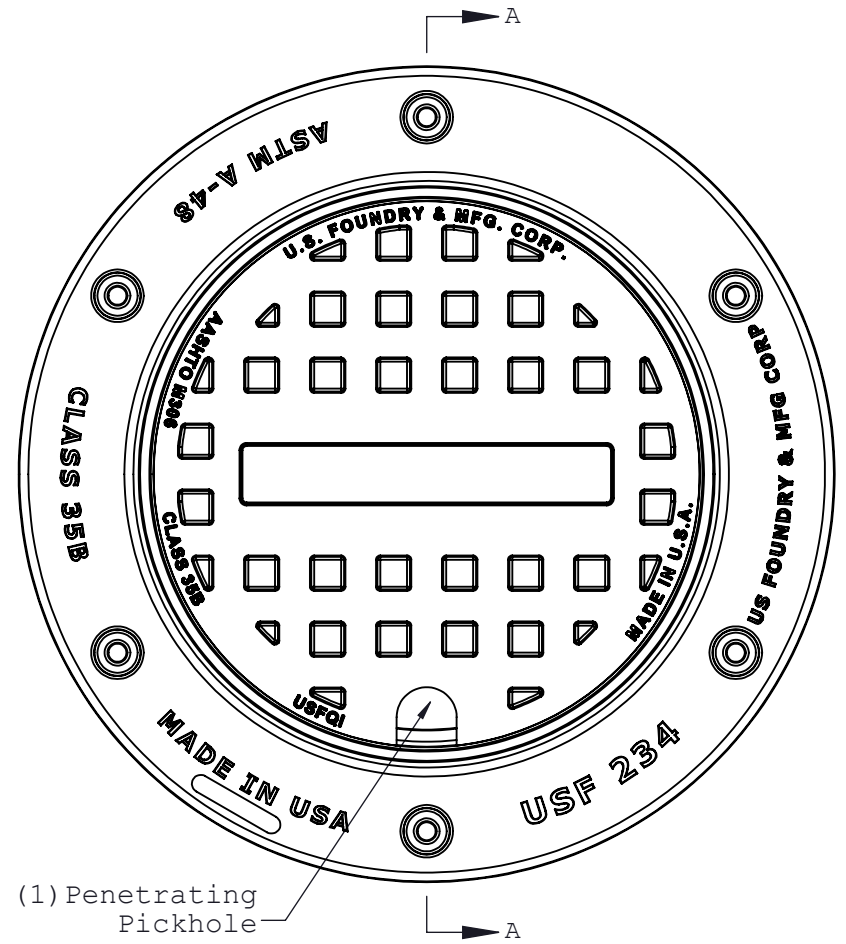
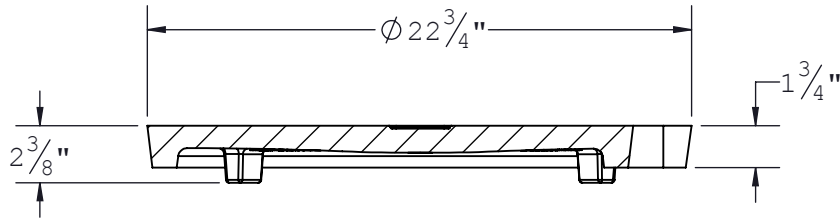
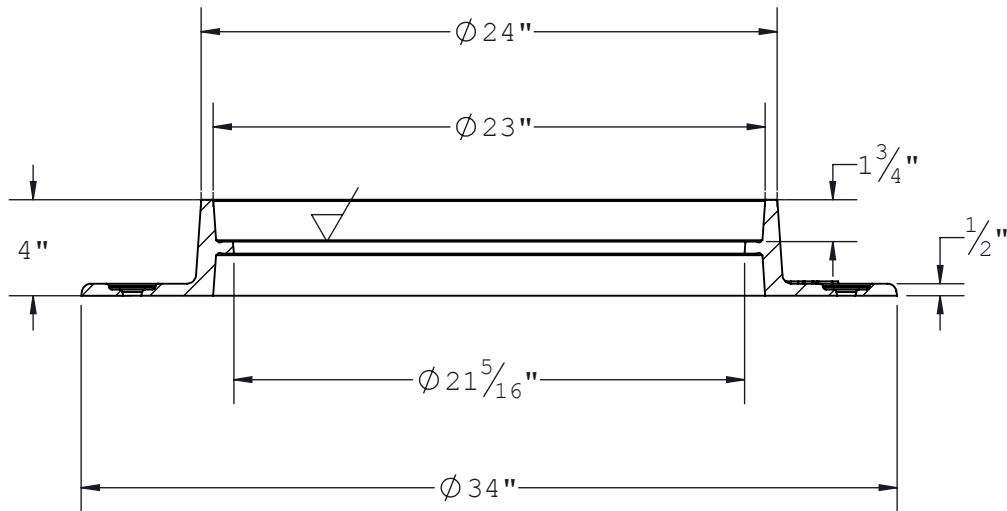


THE INFORMATION CONTAINED IN THIS DRAWING IS THE SOLE PROPERTY OF U.S. FOUNDRY & MANUFACTURING CORP. ANY REPRODUCTION IN PART OR AS A WHOLE WITHOUT THE WRITTEN PERMISSION OF U.S. FOUNDRY & MANUFACTURING CORP. IS PROHIBITED. U.S. FOUNDRY & MANUFACTURING CORP. RESERVES THE RIGHT TO MAKE MODIFICATIONS TO DESIGN WITHOUT PRIOR NOTICE. DRAWING IS UNCONTROLLED WHEN PRINTED. WEIGHTS AND DIMENSIONS ARE PROVIDED FOR REFERENCE ONLY © 2013 U.S. Foundry & Mfg. Corp. All Rights Reserved



(1) Penetrating Pickhole




US FOUNDRY
 AN EAGLE MANUFACTURING COMPANY © 2013 All Rights Reserved

8351 NW 93rd Street
 Medley, FL, 33166-2025
 ph: 1-800-432-9709
 fax: 305-887-9429
 www.usfoundry.com

USF 234 Ring & QI Cover

LOAD CLASSIFICATION:		Heavy Duty
MATERIAL:		Gray Cast Iron ASTM-A48 Class 35B
ITEM:	BAAN #	DRAWING
Ring	8021603	
Cover		DATE
		12/26/2013
		DRAWN BY
		AB
REV	DATE	REV BY
0		
		QUOTE #

Customer Drawing