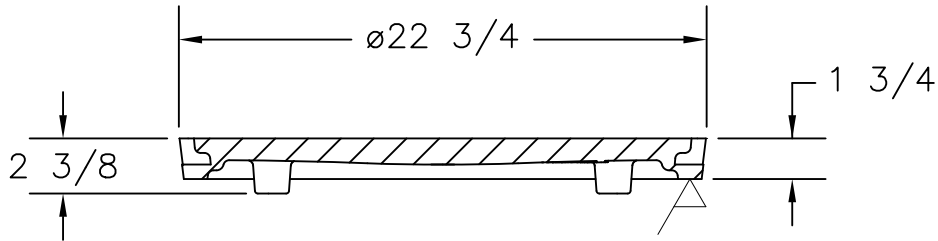
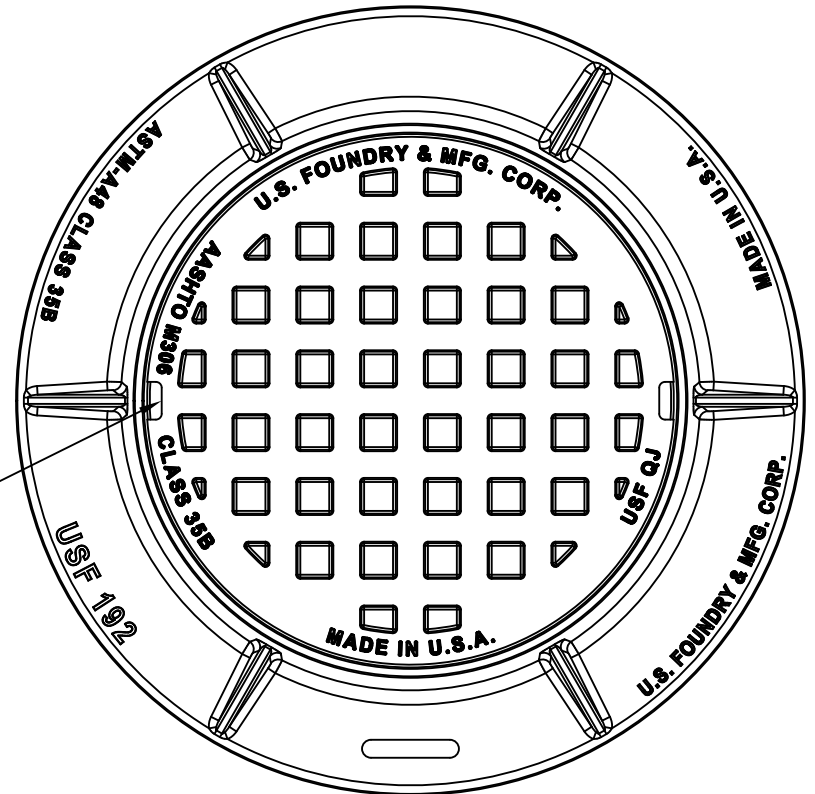
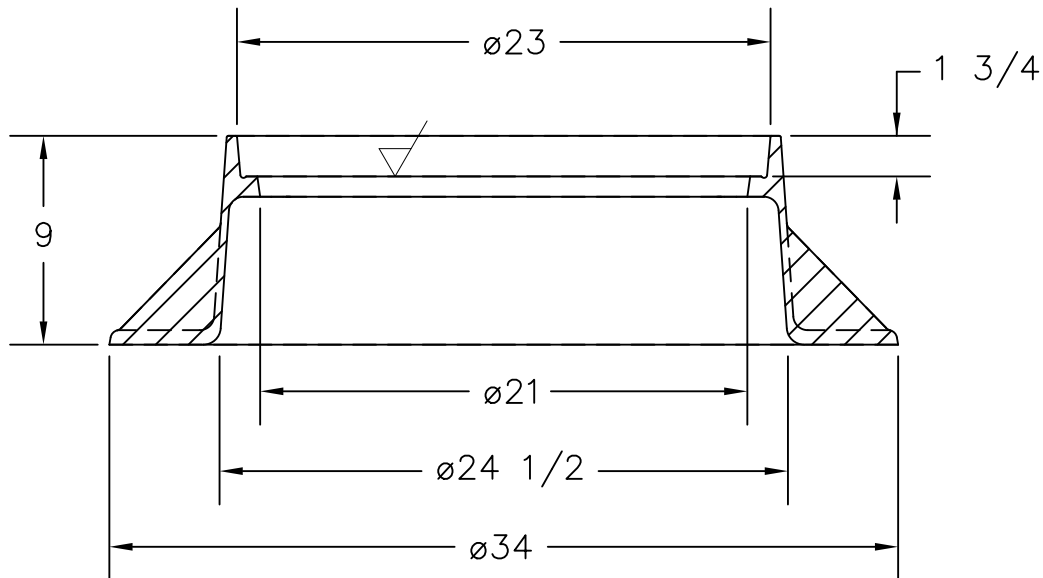


THE INFORMATION CONTAINED IN THIS DRAWING IS THE SOLE PROPERTY OF U.S. FOUNDRY & MANUFACTURING CORP. ANY REPRODUCTION IN PART OR AS A WHOLE WITHOUT THE WRITTEN PERMISSION OF U.S. FOUNDRY & MANUFACTURING CORP. IS PROHIBITED. U.S. FOUNDRY & MANUFACTURING CORP. RESERVES THE RIGHT TO MAKE MODIFICATIONS TO DESIGN WITHOUT PRIOR NOTICE. DRAWING IS UNCONTROLLED WHEN PRINTED. WEIGHTS AND DIMENSIONS ARE PROVIDED FOR REFERENCE ONLY © 2014 US FOUNDRY AN EAGLE MANUFACTURING COMPANY



(2) NON-PENETRATING PICKHOLES



8351 NW 93rd Street  
Medley, FL, 33166-2025  
ph: 1-800-432-9709  
fax: 305-887-9429  
www.usfoundry.com  
© 2013 All Rights Reserved

**US FOUNDRY**  
AN EAGLE MANUFACTURING COMPANY

USF 192 Ring & QJ Cover

LOAD CLASSIFICATION: Heavy Duty		
MATERIAL: ASTM-A48 GRAY IRON CLASS 35B		
Ring No:	8022103	
Cover No:		DATE: 2/17/2014
		OWN. BY: AB
REV: 0	DATE:	REV BY: QUOTE#