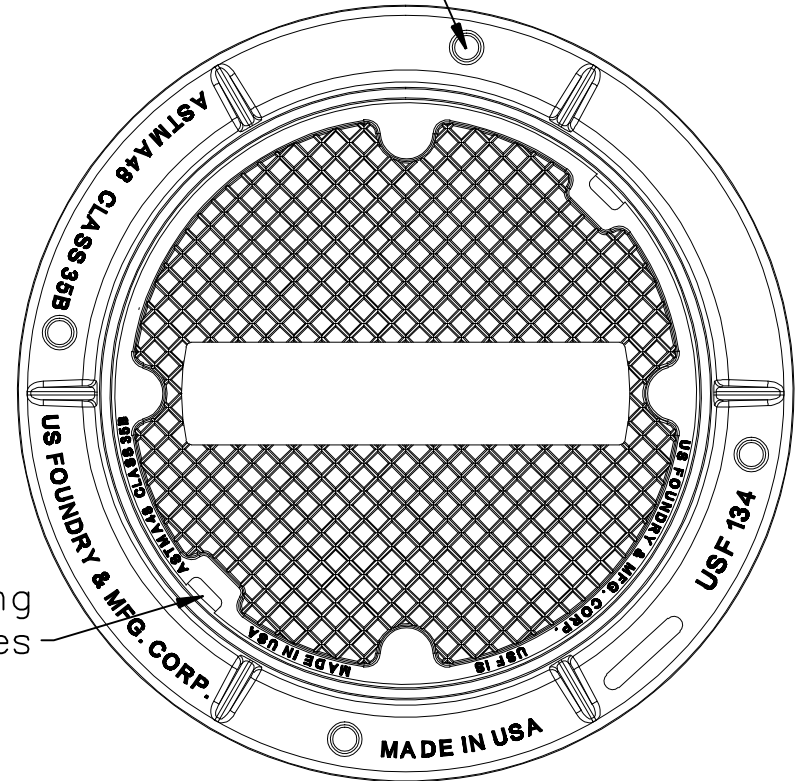
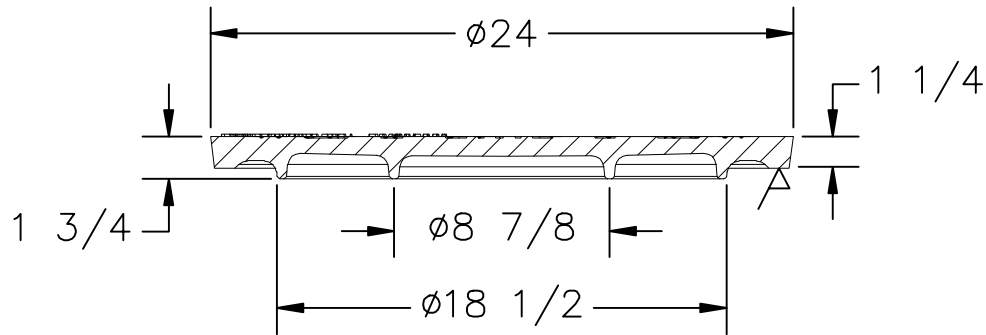
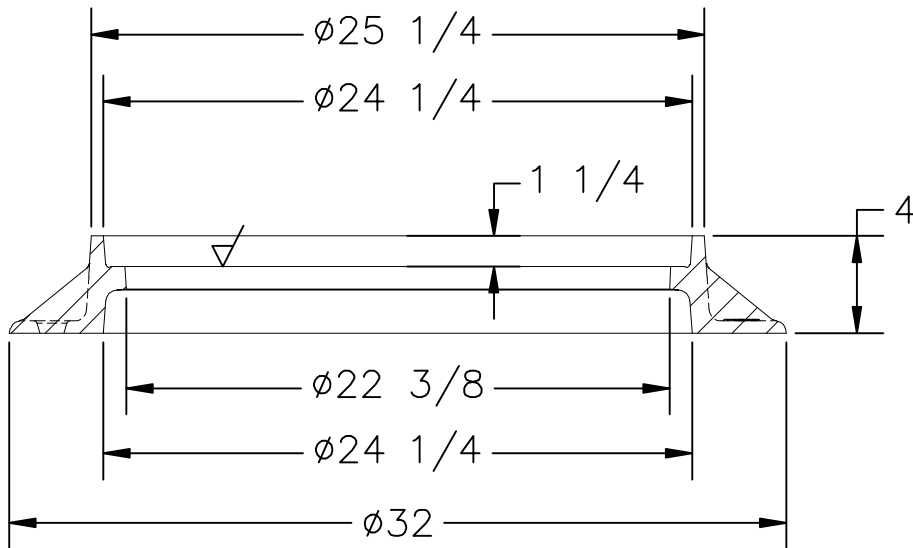


THE INFORMATION CONTAINED IN THIS DRAWING IS THE SOLE PROPERTY OF U.S. FOUNDRY & MANUFACTURING CORP. ANY REPRODUCTION IN PART OR AS A WHOLE WITHOUT THE WRITTEN PERMISSION OF U.S. FOUNDRY & MANUFACTURING CORP. IS PROHIBITED. U.S. FOUNDRY & MANUFACTURING CORP. RESERVES THE RIGHT TO MAKE MODIFICATIONS TO DESIGN WITHOUT PRIOR NOTICE. DRAWING IS UNCONTROLLED WHEN PRINTED. WEIGHTS AND DIMENSIONS ARE PROVIDED FOR REFERENCE ONLY. © 2015 U.S. FOUNDRY AN EAGLE MANUFACTURING COMPANY

4x $\phi 1''$ Anchor Holes
 @ $\phi 28 \frac{15}{16}$



2x Non Penetrating
 Pick Holes




US FOUNDRY
 AN EAGLE MANUFACTURING COMPANY

8351 NW 93rd Street
 Medley, FL 33166-2025
 ph: 1-800-432-9709
 fax: 305-887-9429
 www.usfoundry.com
 © 2015 All Rights Reserved

USF 134 Ring & IS Cover

LOAD CLASSIFICATION: Heavy Duty		
MATERIAL: ASTM-A48 GRAY IRON CLASS35B		
Ring No:	8021291	REF:
Cover No:		DATE:
		12/24/2010
		DWN. BY:
		ULS
REV: 0	DATE:	REV BY:
		QUOTE#