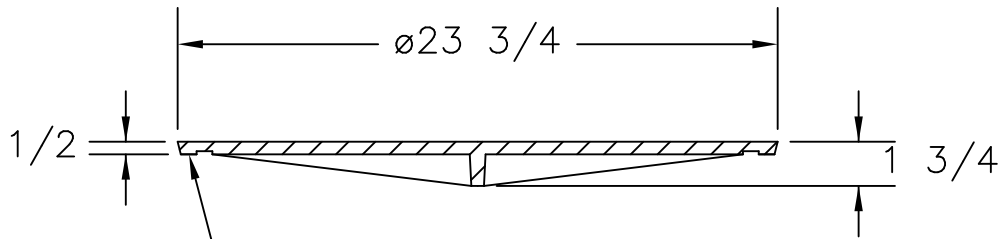
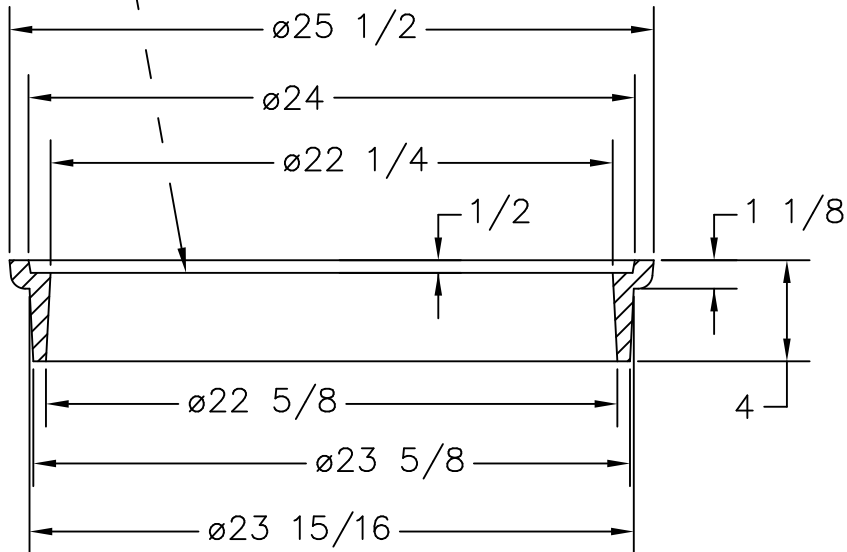


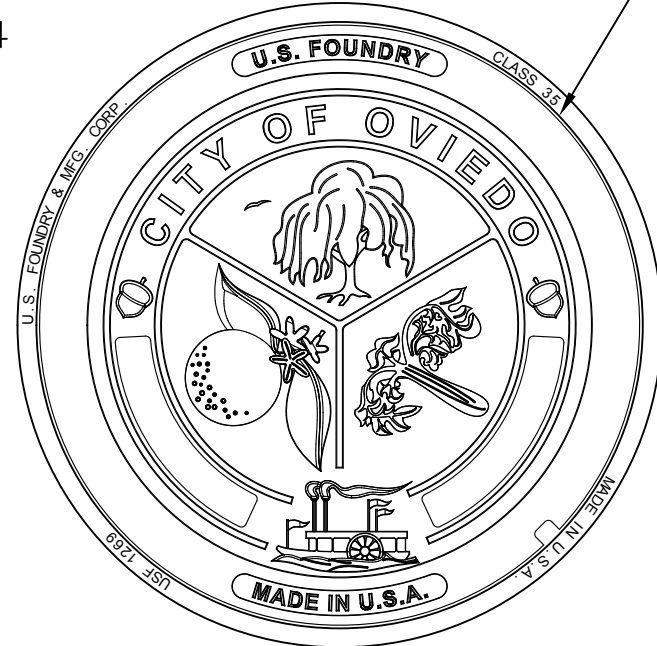
THE INFORMATION CONTAINED IN THIS DRAWING IS THE SOLE PROPERTY OF U.S. FOUNDRY & MANUFACTURING CORP. ANY REPRODUCTION IN PART OR AS A WHOLE WITHOUT THE WRITTEN PERMISSION OF U.S. FOUNDRY & MANUFACTURING CORP. IS PROHIBITED. U.S. FOUNDRY & MANUFACTURING CORP. RESERVES THE RIGHT TO MAKE MODIFICATIONS TO DESIGN WITHOUT PRIOR NOTICE. DRAWING IS UNCONTROLLED WHEN PRINTED. WEIGHTS AND DIMENSIONS ARE PROVIDED FOR REFERENCE ONLY © 2015 US FOUNDRY AN EAGLE MANUFACTURING COMPANY



FIT BY GRINDING



(1) PENETRATING PICKHOLE



8351 NW 93rd Street
 Medley, FL, 33166-2025
 ph: 1-800-432-9709
 fax: 305-887-9429
 www.usfoundry.com
 © 2015 All Rights Reserved

US FOUNDRY
 AN EAGLE MANUFACTURING COMPANY

USF 1269 Ring & RJ Cover

LOAD CLASSIFICATION: Heavy Duty		
MATERIAL: ASTM-A48 GRAY IRON CLASS35B		
Ring No:	8020700	REF:
Cover No:		DATE:
		02/27/2015
		OWN. BY:
		ULS/AB
REV: 0	DATE:	REV BY:
		QUOTE#