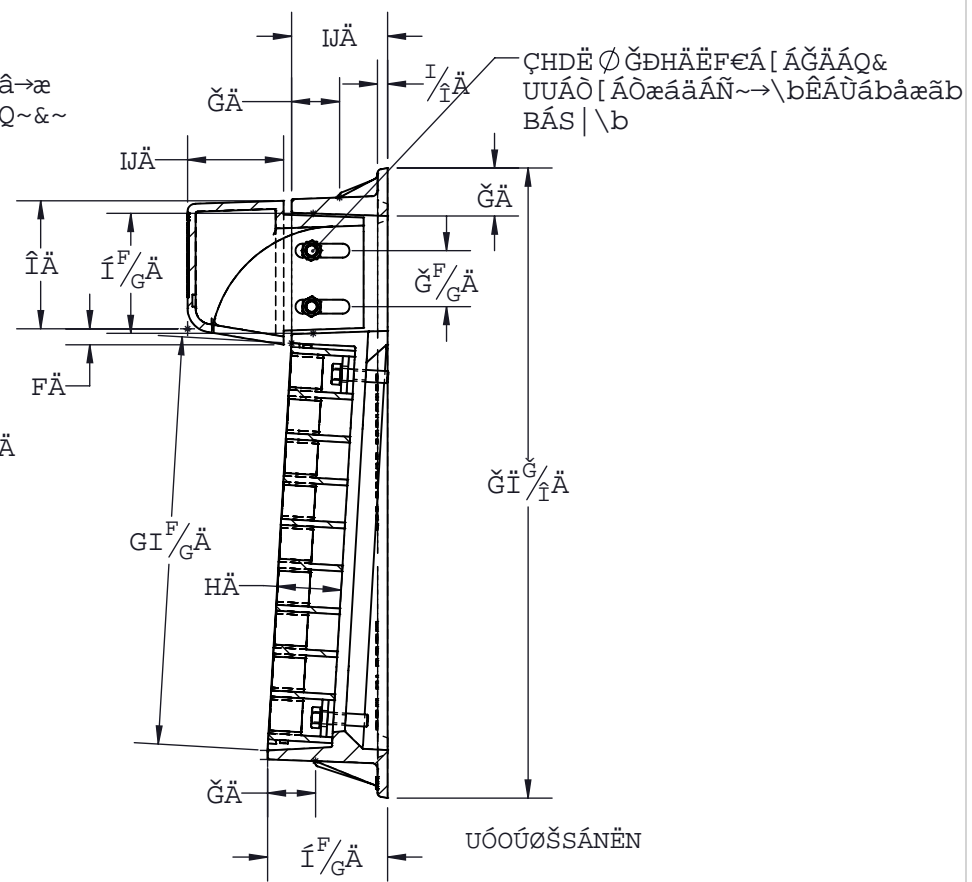
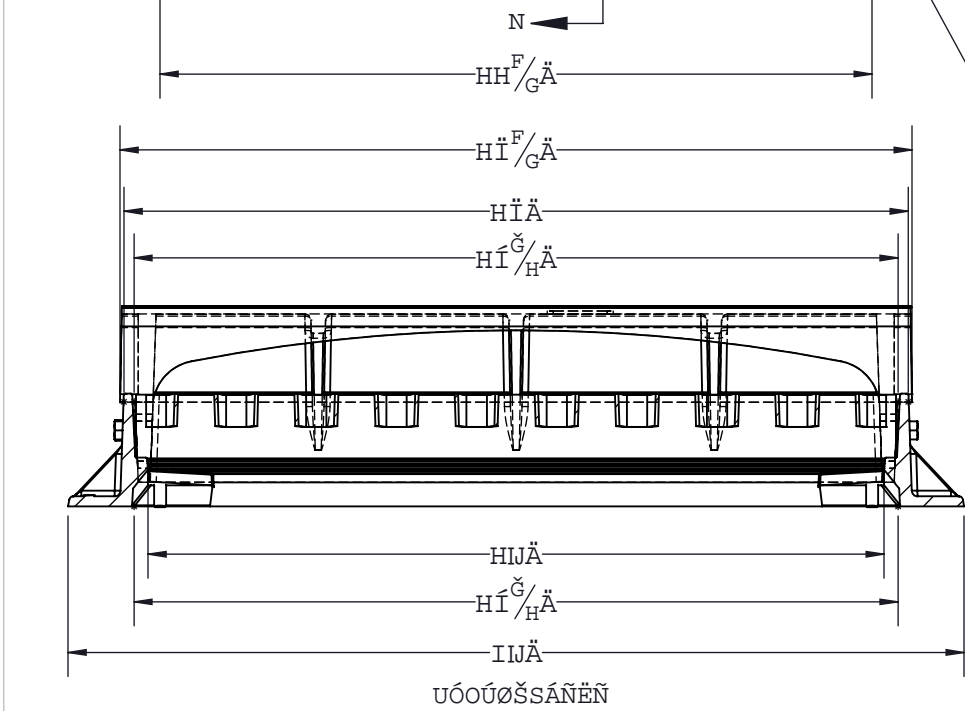
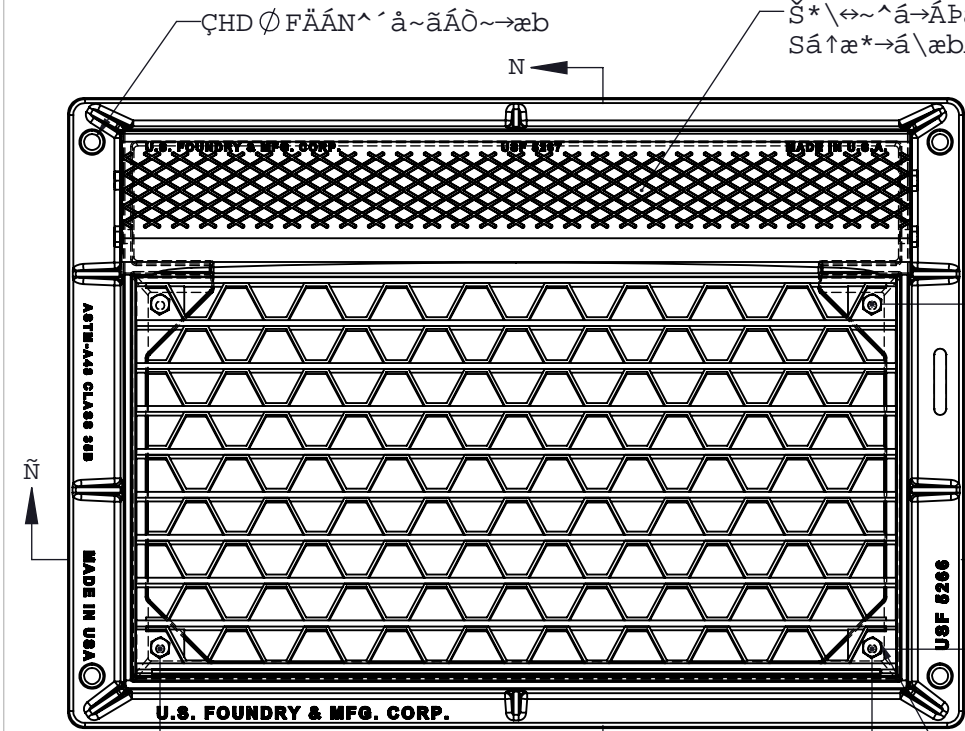


H:9 B: CFA 5HC B 7CBH 6B 98 B H: 6BF5K B: 4H: 9QC @DFC D9HMC: 1'G: CI B8FM' A 5BI: 57H F-B: 7CFD' 5BMF9DFC 8I 7HC B 4 D5FH
 CF 5G5 K <C @K H: CI HH: 9K F H9B D9FA 4GC B C: 1'G: CI B8FM' A 5BI: 57H F-B: 7CFD' 6DFC - 6H98 1'G: CI B8FM' A 5BI: 57H F-B:
 7CFD' F99FJ 9GH: 9F <H: C A 579A C 8 < 7 5HC BGHC 89G: B K H: CI HDF: CF BCH 9' 8F5K B: 4I B7CBHC @98 K < 9B DF: 8H98' K 9 < HG:
 5B8 8A 9BGC BG5F9DFCJ 498: CF F9: 9F 9B 79C B @M F &S% (1'G: CI B8FM5B' 95: @A 5BI: 57H F-B: 7CAD5BM



ÇHD Ø IDÄĚĚFFÄ [ÄĜÄFĚGÄÄQ& Ö [ÄÖääÄÑ~> \b

US FOUNDRY
 AN EAGLE MANUFACTURING COMPANY

I G:) &*, : fUa Y' / <ccX/ ' * * - , ; f) & * * : f / ') & * + < X

A 5H9F-5@		I tc{ 'Ecu'Kqp CUVO/C6: 'Ercu'57D	
#9A.	655B'	8F5K B:	WUH748:
: fUa Y	: 252672	85H9	; B24235
: fUHY	; 2523;	8F5K B'6M	WNUICD
<ccX	: 282327		
F9J	2 85H9	F9J 6M	E1CH9, 573;

71 gftca Yf.8fuk]bl