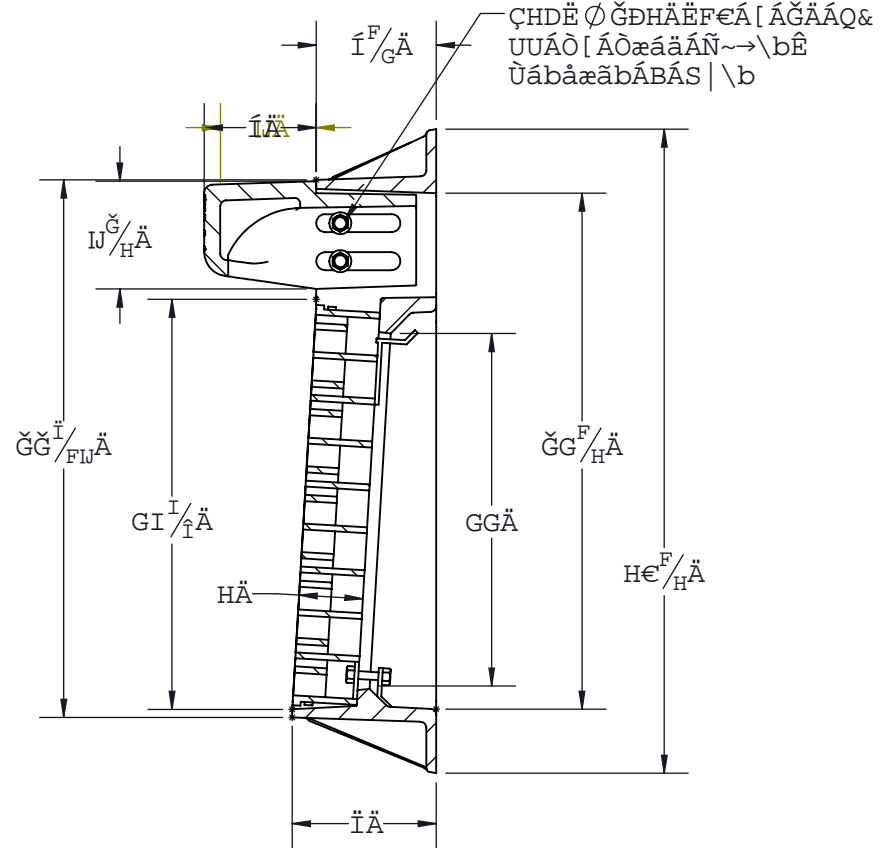
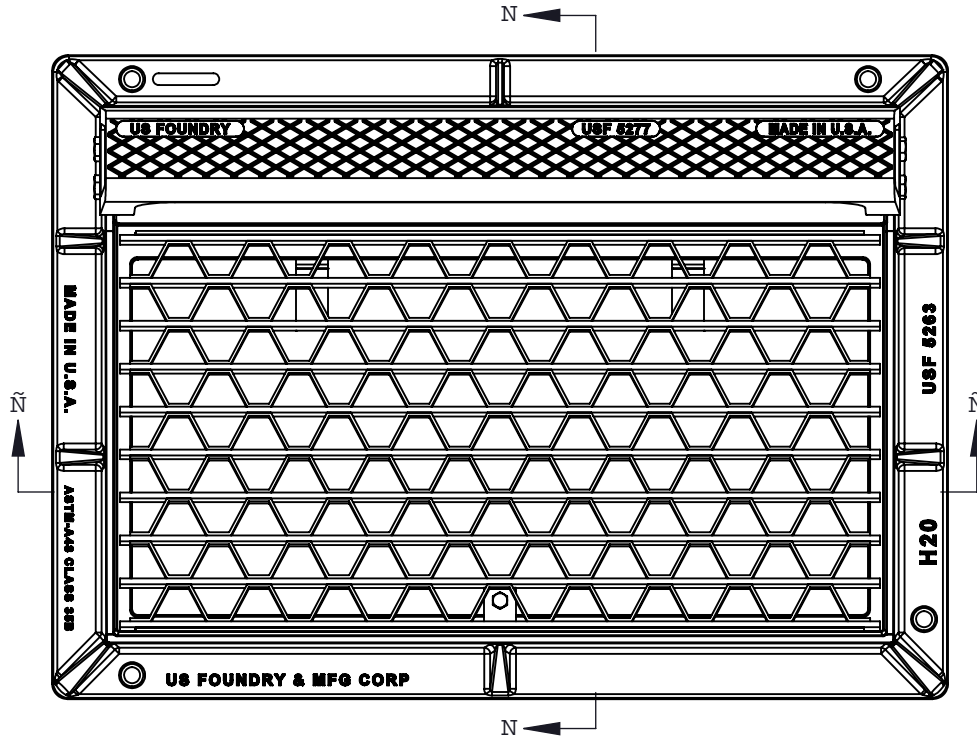
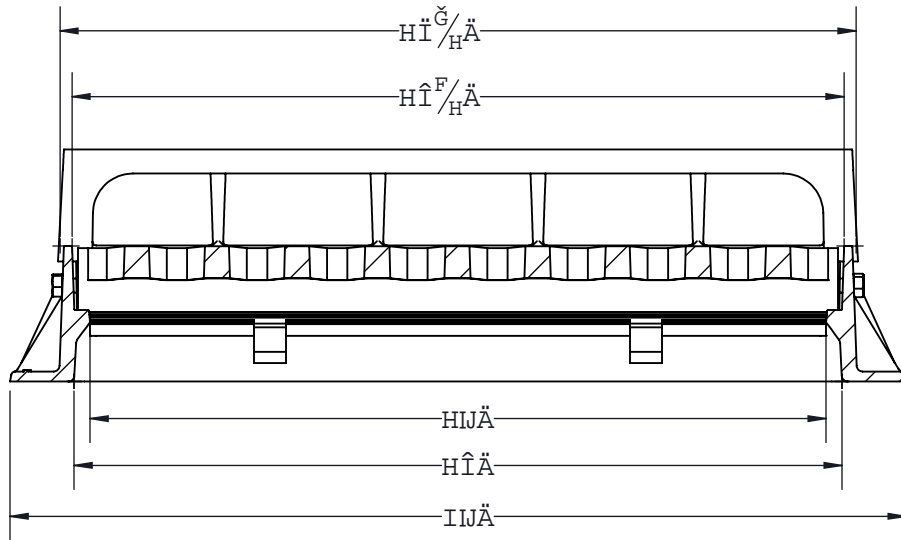


H:9B:CFA5HC B7CBH5B9B B H:68F5K B: 4GH:9QC@DFCD9FHC: 1'G:C1B8FM' A5BI:57HF B: 7CFD'5BMF9DFC8I7HC B B D5FH  
 CF5G5K <C@K H:C1HH:9K F#H9B D9FA 4GCB C: 1'G:C1B8FM' A5BI:57HF B: 7CFD'6DFC -6+98'1'G:C1B8FM' A5BI:57HF B:  
 7CFD'F99FJ 9GH:9F <HC A579A C8=75HC BGHC 89G= B K H:C1HDF:CFBCH7 9'8F5K B: 4I B7CBHC@98 K <9B DF:8H98'K 9= <HG  
 5B8 8A 9BGC BG5F9DFCJ 498:CF F9:9F 9B79CB@M# &S%( 1'G:C1B8FM5B'9S: @A5BI:57HF B: 7CAD5BM



UÓÓØŠŠÁNĚŇ



UÓÓØŠŠÁNĚŇ



**US FOUNDRY**

AN EAGLE MANUFACTURING COMPANY

I G: ) &' : fUa Yž) &+><ccX' / '\* \* - - ; fUHy  
 Gi Zc`\_ '7ci bhm

A 5H9F-5@		I tc{'Ecu'Kqp CUVO/C6: 'Ercu'57D	
#PA.	655B'	8F5K B:	
: fUa Y	: 252637	85H9	
; fUHy	; 252422	4B4236	
<ccX	: 28232;	8F5K B'6M	
		WNU	
F9J	2 85H9	F9J 6M	E1CH9.