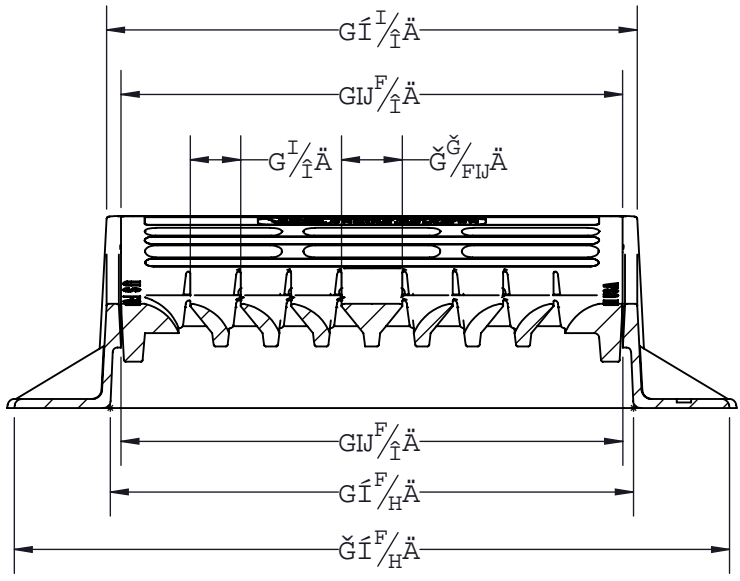
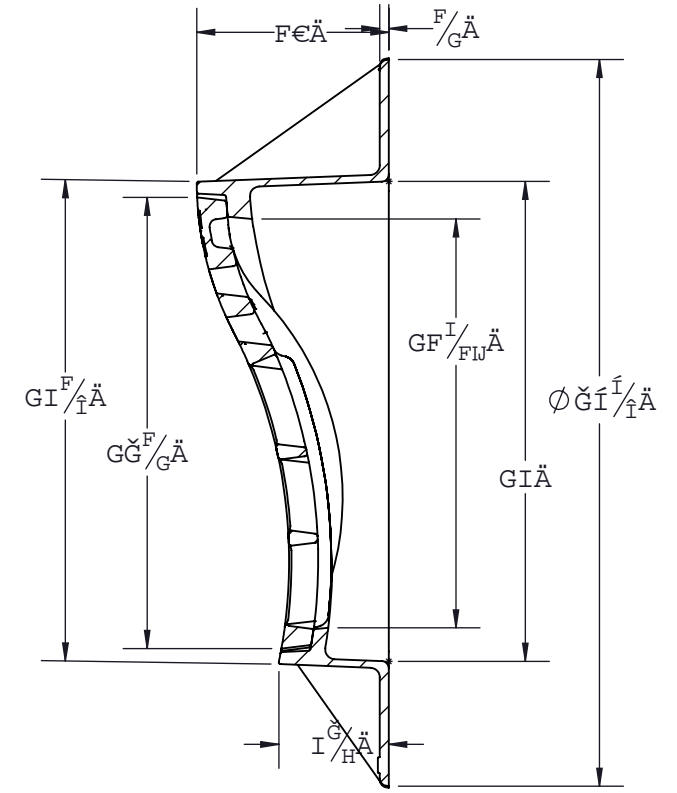
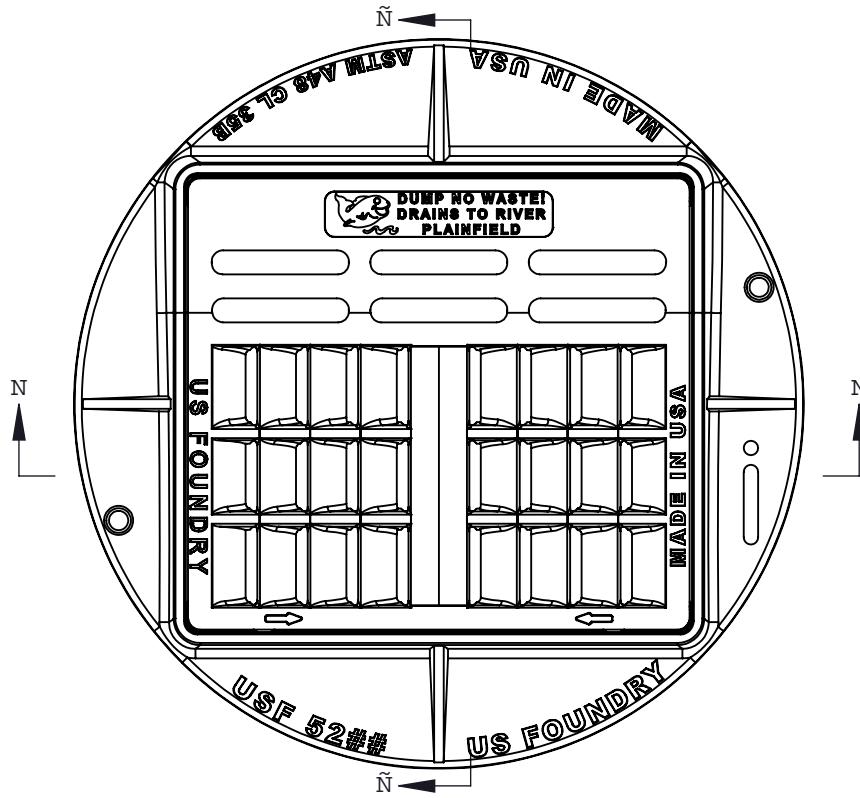


H:9B:CFA5HC B7CBH5B98 B H:68F5K B: 4G:9GC@DFCD9FMC:1'G:C1B8FM' A5BI:57HF B: 7CFD'5BMF9DFC8I7HC B B D5FH
 CF5G5 K <C@K H:C1HH:9K F#H9B D9FA GGC B C:1'G:C1B8FM' A5BI:57HF B: 7CFD'6DFC <6+98'1'G:C1B8FM' A5BI:57HF B:
 7CFD'F99FJ 9GH:9F <HHC A579A C8 >75HC BGHC 89G > B K H:C1HDF:CFBCH7 9'8F5K B: 4I B7CBHC@98 K <9B DF:8H8"K 9 > HG
 588 8A 9BGC BG5F9DFCJ 698:CF F9.9F9B79CB@M# 88%(1'G:C1B8FM5B'95; @9A5BI:57HF B: 7CAD5BM



UÓÓÚØŠŠÁNĚÑ

UÓÓÚØŠŠÁNĚÑ

AN EAGLE MANUFACTURING COMPANY

I G:) & (: fUa Y / * ' * & J UbY ; fUHy		6] 8]fYV]cbU'	
© 58 7 6GG > 7 5HC B.		J gcx { 'F ww {	
A 5HPF 5@		I tc { 'Ecu'Kqp CUVO/C6: 'Ercu'57D	
#9A.	655B'	8F5K B:	
: fUa Y	: 2526; 7		
: fUHy	: 299324	85HP	91534236
5gg/a V'm	: 262668	8F5K B 6M	WNUICD
F9J	2 85HP	F9J 6M	E1CH9.
			632:

71 gftca Yf.8fuk]bl