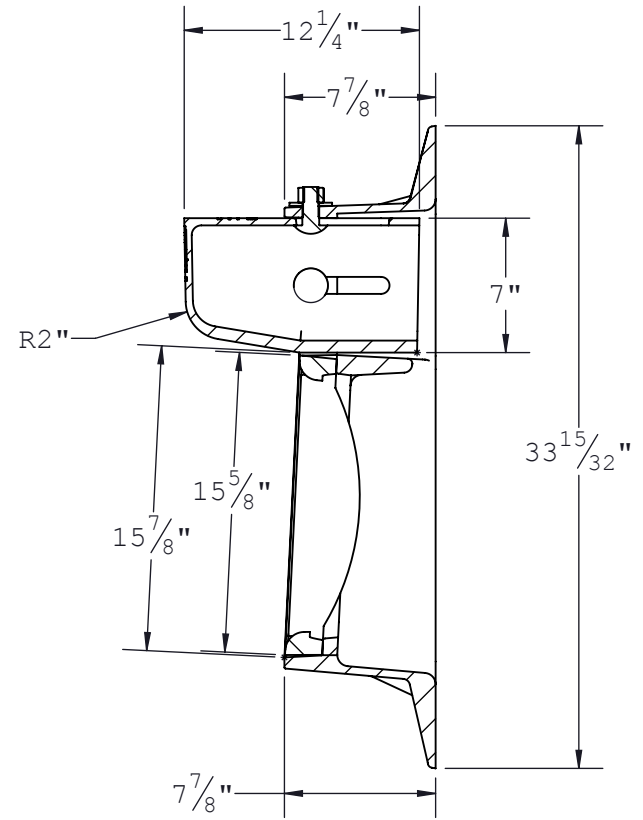
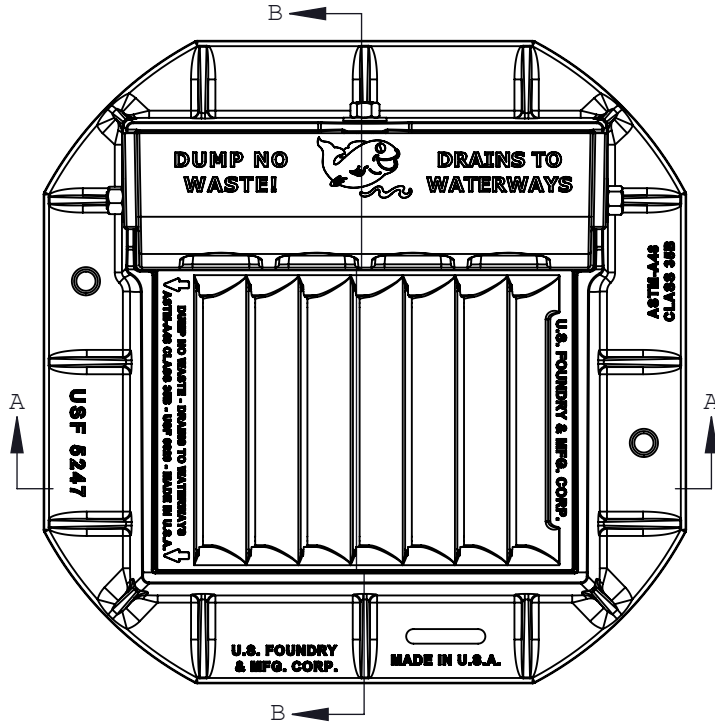
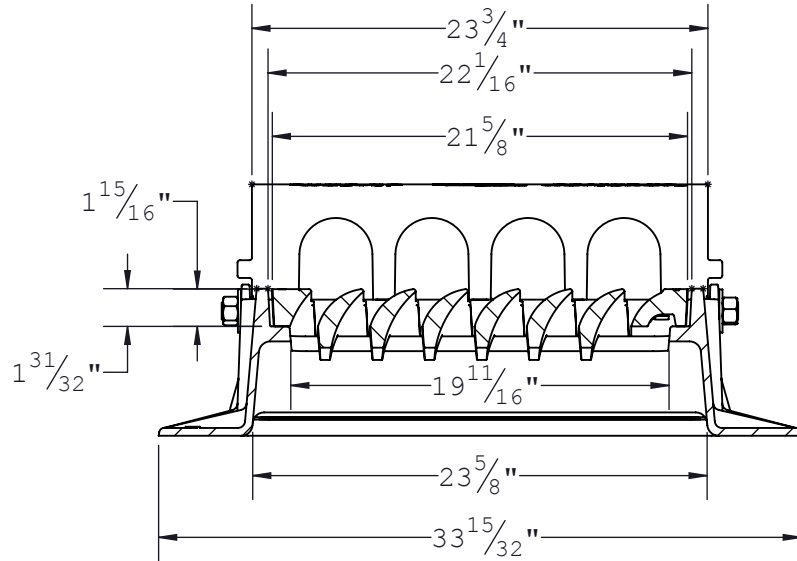


THE INFORMATION CONTAINED IN THIS DRAWING IS THE SOLE PROPERTY OF U.S. FOUNDRY & MANUFACTURING CORP. ANY REPRODUCTION IN PART OR AS A WHOLE WITHOUT THE WRITTEN PERMISSION OF U.S. FOUNDRY & MANUFACTURING CORP. IS PROHIBITED. U.S. FOUNDRY & MANUFACTURING CORP. RESERVES THE RIGHT TO MAKE MODIFICATIONS TO DESIGN WITHOUT PRIOR NOTICE. DRAWING IS UNCONTROLLED WHEN PRINTED. WEIGHTS AND DIMENSIONS ARE PROVIDED FOR REFERENCE ONLY © 2012 U.S. Foundry & Mfg. Corp. All Rights Reserved



SECTION B-B
SCALE 1 : 10



SECTION A-A
SCALE 1 : 10



U.S. FOUNDRY & MFG. CORP.
8351 NW 93rd Street, Medley, FL, 33166-2025
ph: 1-800-432-9709; fax: 305-887-9429
www.usfoundry.com

© 2012 U.S. Foundry & Mfg. Corp. All Rights Reserved

USF 5249 Frame-Hood & 6029 Gate Type 8

LOAD CLASSIFICATION:	Heavy Duty	FLOW AREA:	112.14 in ²
MATERIAL:	Gray Cast Iron ASTM-A48 Class 35B		
ITEM:	BAAN #	DRAWING	
Frame	8030471	USF 5249-6029	
Grate	8076896	DATE	12-05-2012
Hood	8060107	DRAWN BY	ULS
Assembly	8050189		
REV	0	DATE	REV BY
			QUOTE #
			3709

Customer Drawing