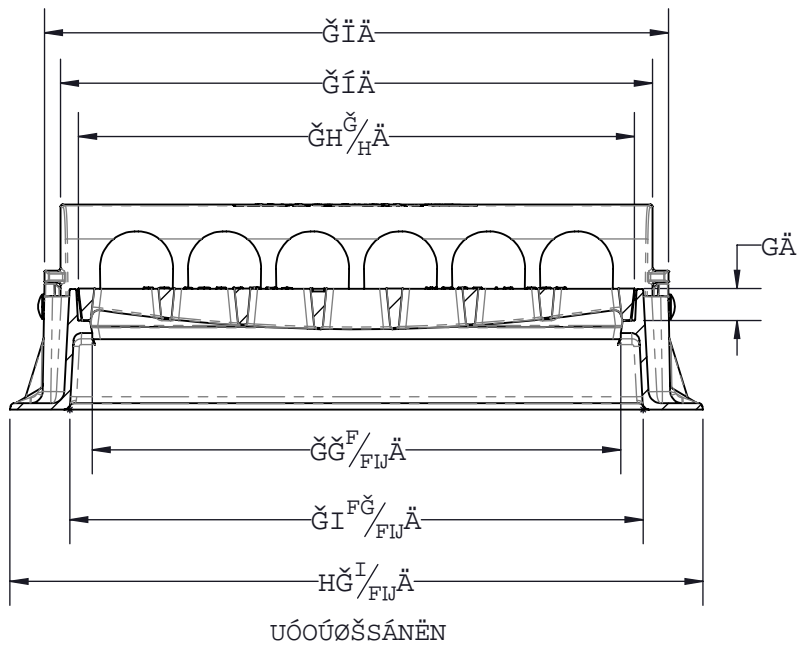
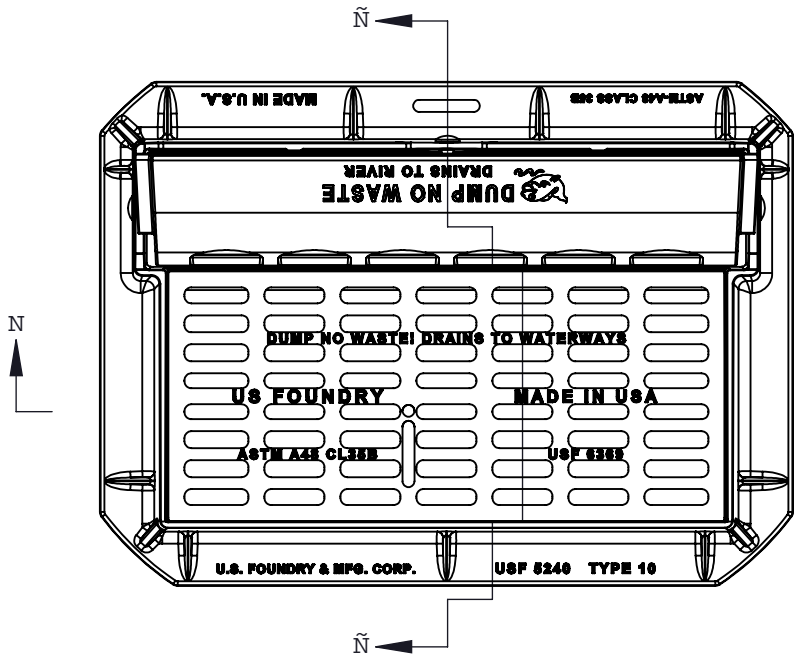
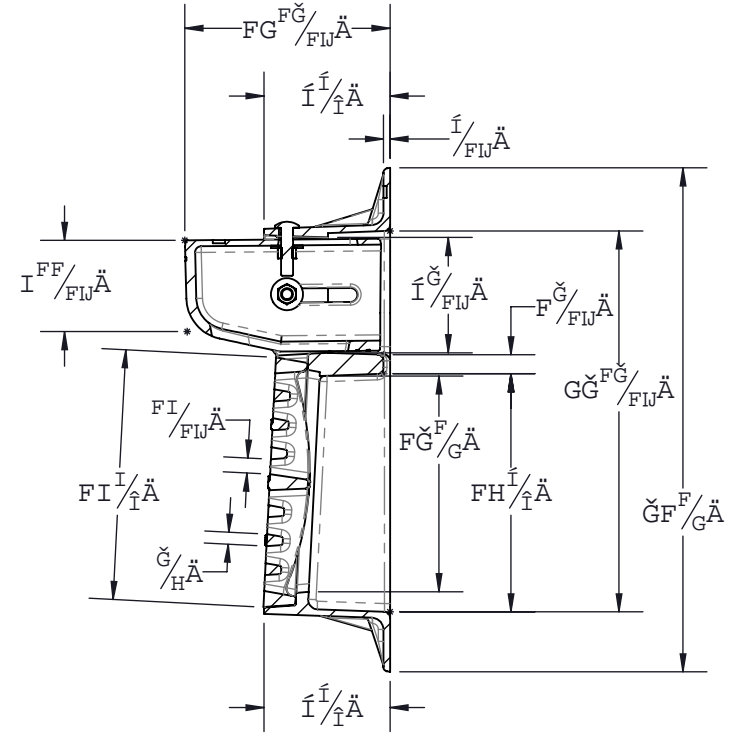


H:9B:CFA5HC B7CBH5B98 B H:68F5K B: 4GH:9GC@DFCD9FHC: 1"G:C1B8FM' A5BI:57HF-B: 7CFD'5BMF9DFC8I7HC B 4D5FH
 CF5G5K <C@K H:C1HH:9K F#H9B D9FA 4GGCB C: 1"G:C1B8FM' A5BI:57HF-B: 7CFD'4DFC <4H9B"1"G:C1B8FM' A5BI:57HF-B:
 7CFD'F99FJ 9GH:9F# <HC A579A C8#75HC BGHC 89G# B K H:C1HDF:CFBCH7 9'8F5K B: 4I B7CBHC@98 K <9B DF:4H98"K 9# <HG
 5B8 8A 9BGC BG5F9DFCJ 498:CF F9:9F9B79CB@M# 85% 1 G:C1B8FM5B'95: @9A5BI:57HF-B: 7CAD5BM



UÓÓØŠŠÁÑĚŇ



UÓÓØŠŠÁÑĚŇ

US FOUNDRY
 AN EAGLE MANUFACTURING COMPANY

I G:) & ' - : fUa Yž <ccX/ ' * ' * - ; fUHŸ

© 58 7 65G# 7 5HC B.		J gcx{ 'F ww{	: © K '5F95.	42: 6kp
A 5H9F-5@		I tc{ 'Ecu'Kqp CUVO/C6: 'Encu'57D		
#9A.	655B'	8F5K B:		
: fUa Y	: 2525; 9	85H9		
; fUHŸ	: 299323	7B44236		
<ccX	: 2822; ;	8F5K B'6M		
		WNU		
F9J	2 85H9	F9J 6M	E1CH9.	6329

71 gřca Yř 8fuk jbl