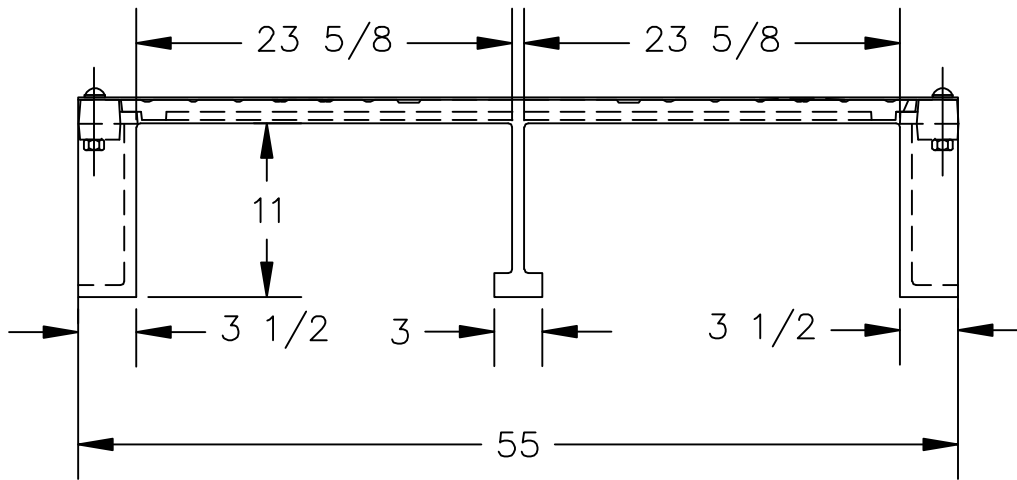
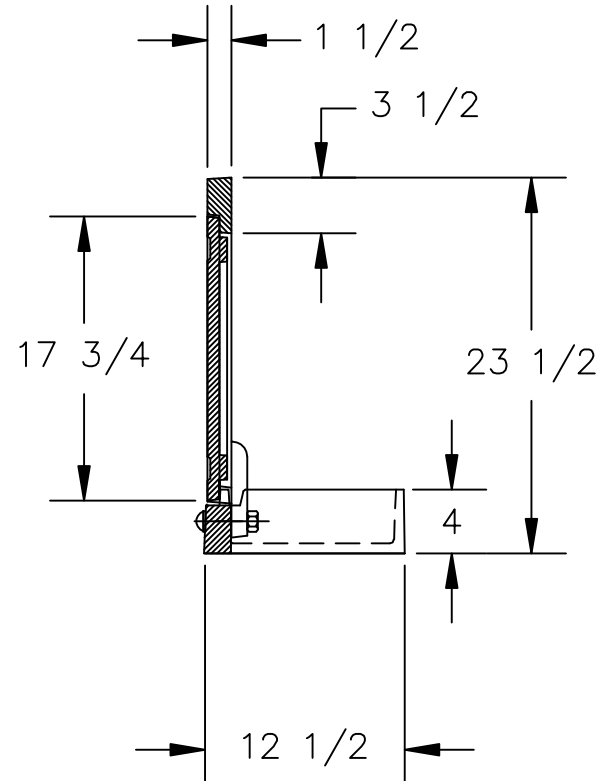



(1) -
PENETRATING
PICKHOLE



 U.S. FOUNDRY & MFG. CORP. MEDLEY, FLORIDA	
DESCRIPTION USF KW COVER, 5209 FRAME & 5210 FRONT GRATE	
MATERIAL: ASTM-A48 GRAY IRON CLASS: 35B	
FRAME WEIGHT: 100 FRONT GRATE: 110 COVER WEIGHT: 180	
UNLESS OTHERWISE NOTED WEIGHT IS IN POUNDS AND APPROXIMATED	
DWN. BY:	SCALE:
DDB/HF	1"=1'
ITEM No:	DWG DATE:
8050085	02-08-01
CHK. BY:	DWG. No:
	A5271
REV:	REV:
	1

REV: DATE: DESCRIPTION:

REV BY: