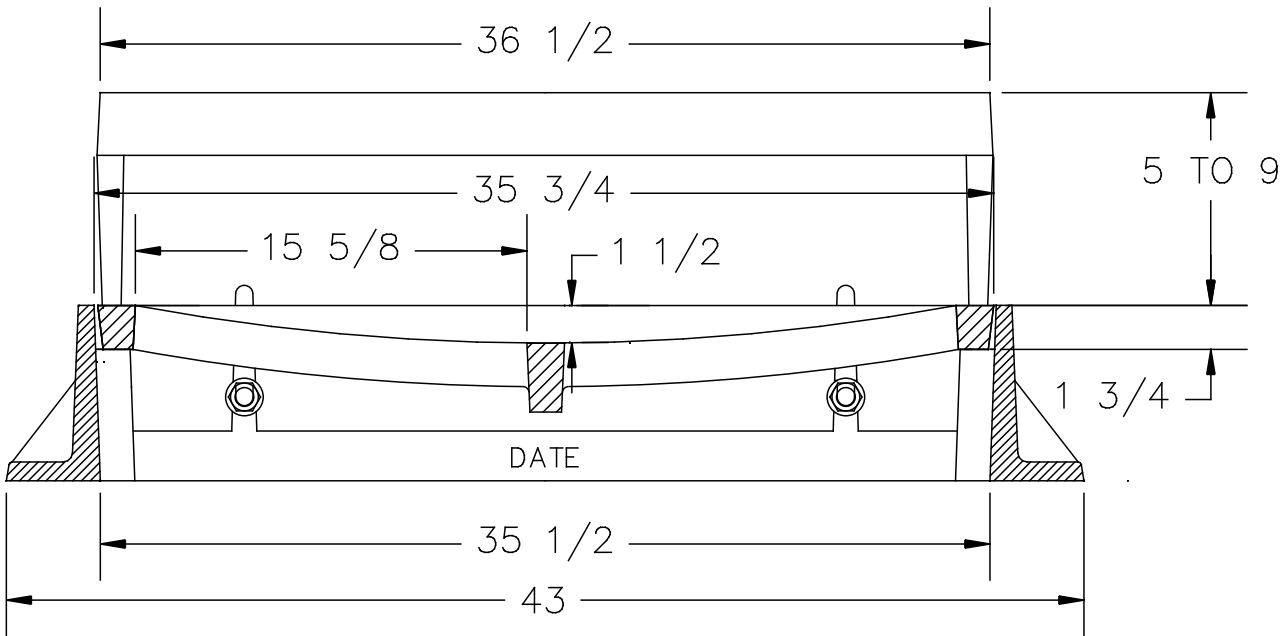


NOTES:

- 1- MATERIAL: ASTM-A48 CLASS 35B GRAY IRON.
- 2-FRAME WT: 235 LBS. APP.
- 3-GRATE WT: 185 LBS. APP.
- 4-HOOD WT: 120 LBS. APP.
- 5- LOADING: MEDIUM DUTY.



U.S. FOUNDRY & MFG. CORP.

MEDLEY, FLORIDA

USF 5181 FRAME & HOOD
WITH 6426 GRATE

DWN. BY: MAC	SCALE: 1/8" = 1"	DATE: 2/26/91
CHK. BY:	DWG. NO: A2487	REV: 1