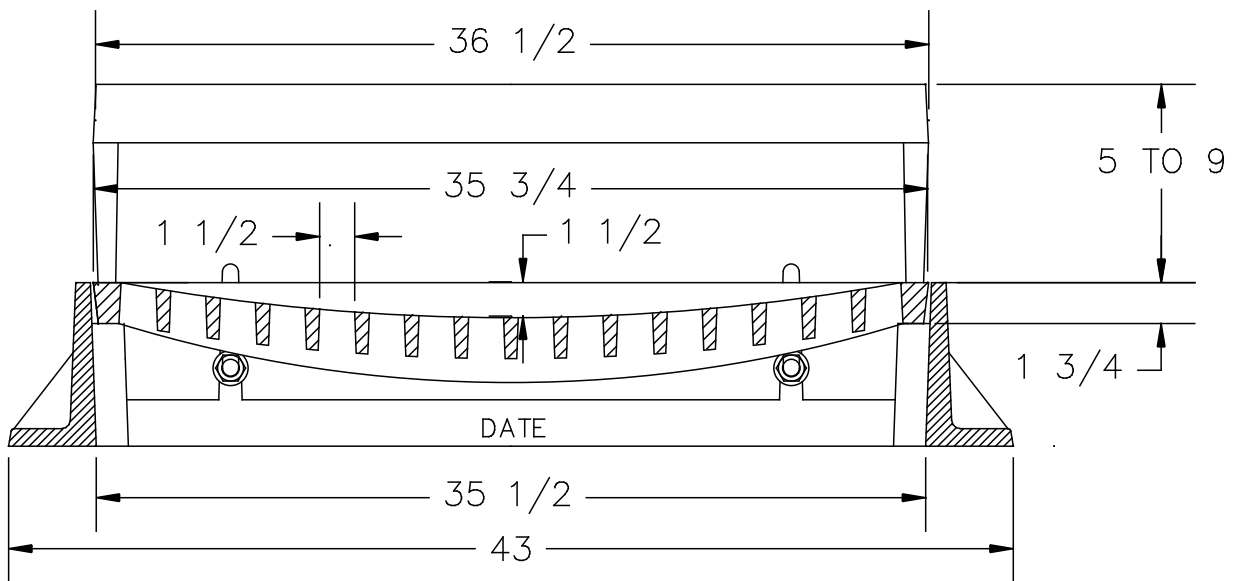



- NOTES:**
- 1- MATERIAL: ASTM-A48 CLASS 35B GRAY IRON.
  - 2-FRAME WT: 235 LBS. APP.
  - 3-GRATE WT: 170 LBS. APP.
  - 4-HOOD WT: 120 LBS. APP.
  - 5- LOADING: LIGHT DUTY.



 <b>U.S. FOUNDRY &amp; MFG. CORP.</b> MEDLEY, FLORIDA		
USF 5181 FRAME AND HOOD WITH 6421 GRATE		
DWN. BY: MAC	SCALE: 1/8"=1"	DATE: 10/22/90
CHK. BY:	DWG. NO: A2410	REV: 