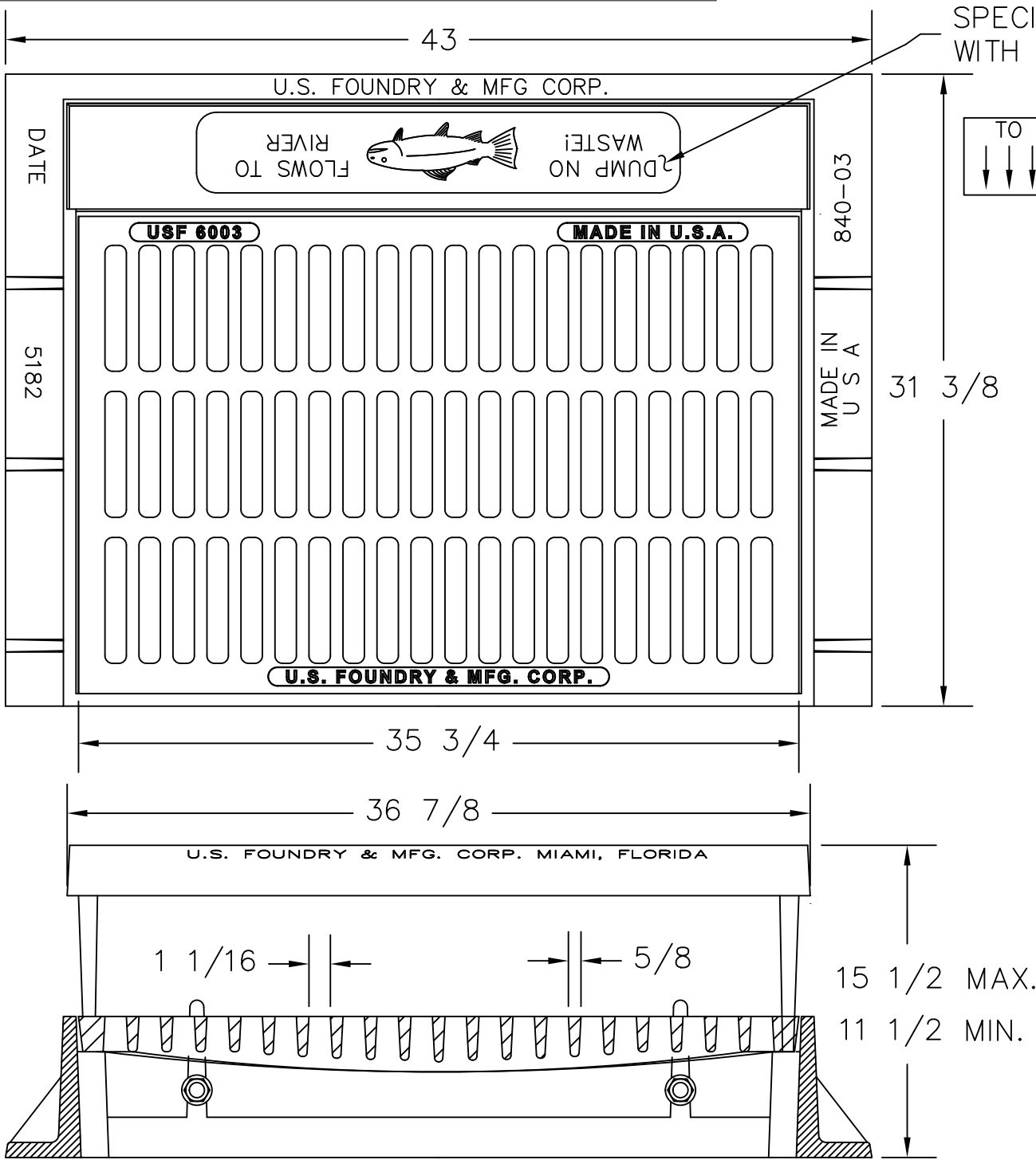
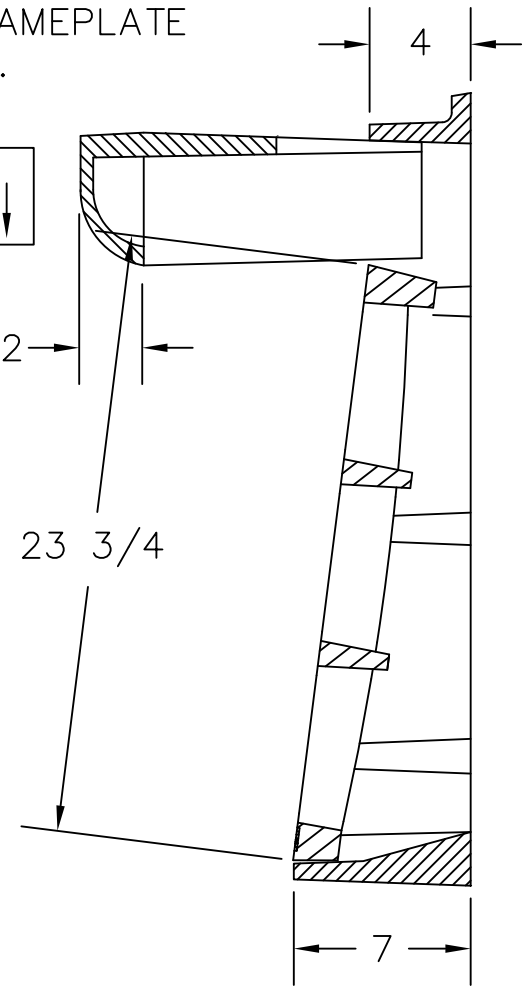
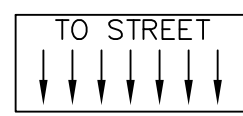


THE INFORMATION CONTAINED IN THIS DRAWING IS THE SOLE PROPERTY OF U.S. FOUNDRY & MANUFACTURING CORP. ANY REPRODUCTION IN PART OR AS A WHOLE WITHOUT THE WRITTEN PERMISSION OF U.S. FOUNDRY & MANUFACTURING CORP. IS PROHIBITED. U.S. FOUNDRY & MANUFACTURING CORP. RESERVES THE RIGHT TO MAKE MODIFICATIONS TO DESIGN WITHOUT PRIOR NOTICE. DRAWING IS UNCONTROLLED WHEN PRINTED. WEIGHTS AND DIMENSIONS ARE PROVIDED FOR REFERENCE ONLY © 2014 US FOUNDRY AN EAGLE MANUFACTURING COMPANY



SPECIAL NAMEPLATE WITH LOGO.



8351 NW 93rd Street  
Medley, FL, 33166-2025  
ph: 1-800-432-9709  
fax: 305-887-9429  
www.usfoundry.com  
© 2014 All Rights Reserved

**US FOUNDRY**  
AN EAGLE MANUFACTURING COMPANY

USF 5181 Fr & Hd & 6003 Gr

LOAD CLASSIFICATION: Heavy Duty		FLOW AREA=391.2in <sup>2</sup>
MATERIAL: ASTM-A48 GRAY IRON CLASS35B		
Frame No:	8030115	SCALE: 1/8"=1"
Grate No:	8070414	DATE: 9/14/2005
Hood No:	8060026	OWN. BY: HJF
Assembly No:	8050066	
REV: 0	DATE:	REV BY:
		QUOTE#