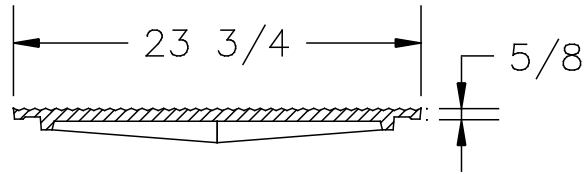
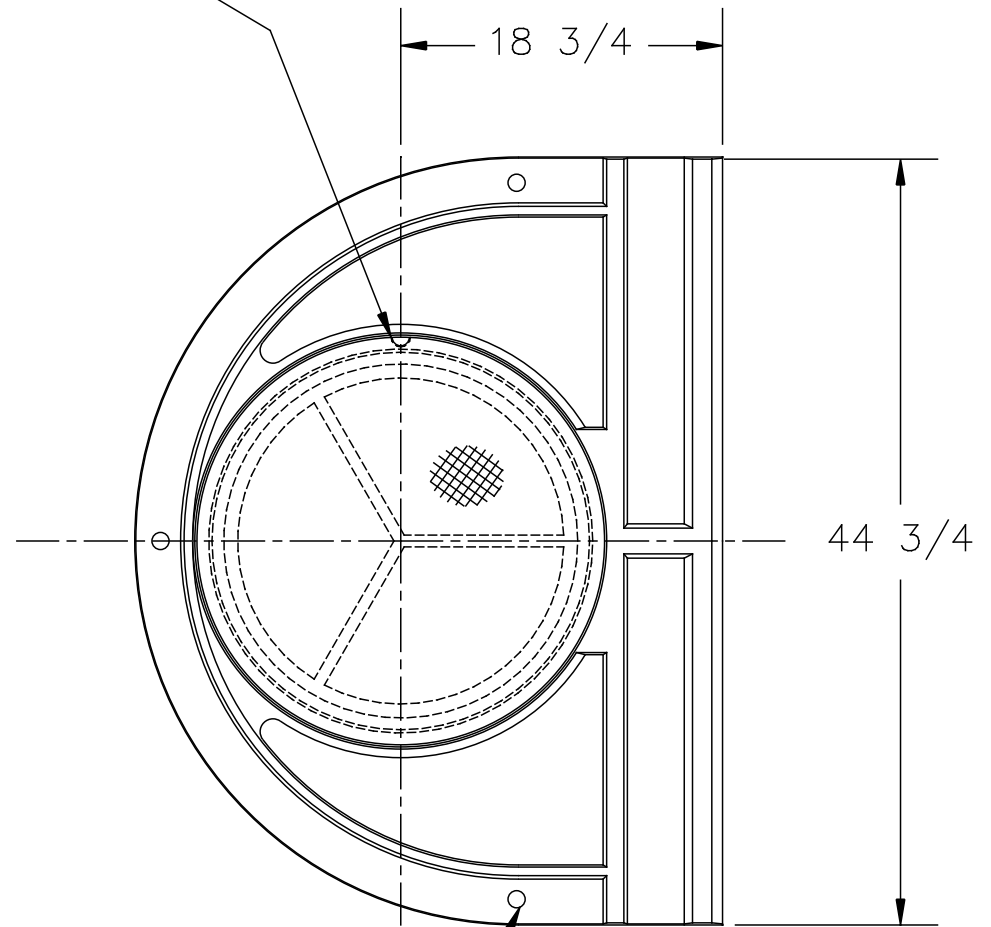
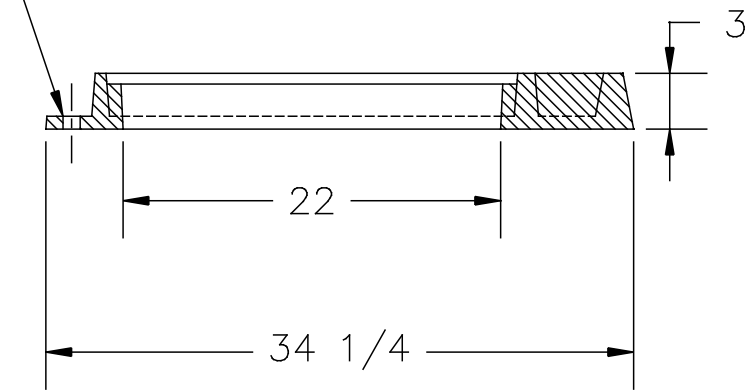


1- PENETRATING PICKHOLE



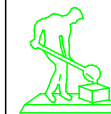
(3) 1" DIA. ANCHOR HOLES



3- 1" DIA. ANCHOR HOLES

**NOTES:**

- 1- MATERIAL: ASTM-A48 CLASS 35B GRAY IRON.
- 2- FRAME WT. : 325 LBS. APP.
- 3- COVER WT. : 80 LBS. APP.
- 4- LOADING: LIGHT DUTY



**U.S. FOUNDRY & MFG. CORP.**  
MEDLEY, FLORIDA

USF 5170 FRAME & AM COVER

DWN. BY: JWS	SCALE: 1" = 1'-0"	DATE: 1/4/97
CHK. BY:	DWG. NO: A0817	REV: