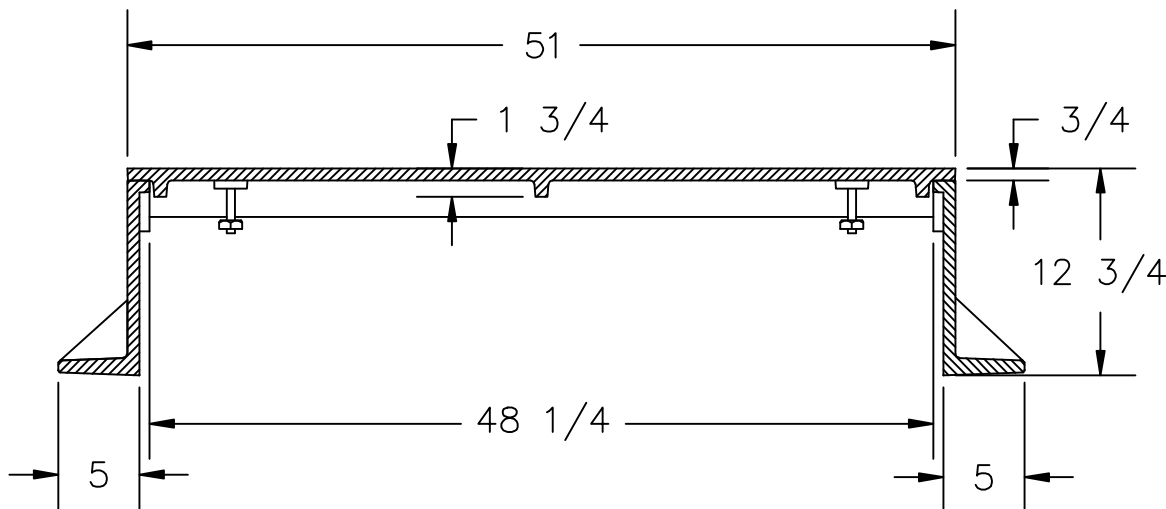
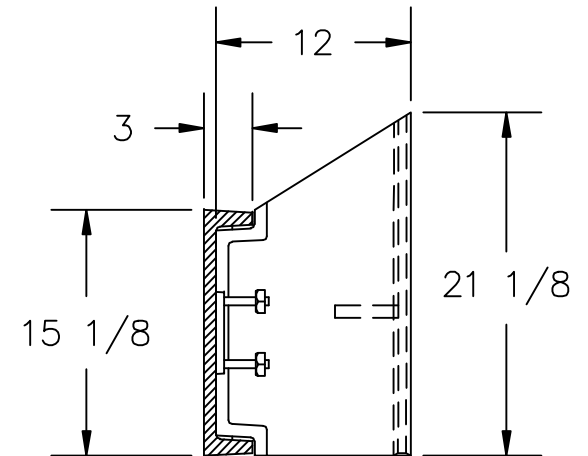


(2) DROP HANDLE



 **U.S. FOUNDRY & MFG. CORP.**
MEDLEY, FLORIDA

DESCRIPTION
USF 5166 FRAME & LZ COVER

MATERIAL: ASTM-A48 GRAY IRON CLASS: 35B

FRAME WEIGHT: 120 COVER WEIGHT: 210

UNLESS OTHERWISE NOTED WEIGHT IS IN POUNDS AND APPROXIMATED

| | | | |
|-------------------|-----------------|----------|----------------------|
| DWN. BY: AM/OD | SCALE: 1"=1' | ITEM No: | DWG DATE: 2-14-08 |
|-------------------|-----------------|----------|----------------------|

| | | | | | | |
|------|-------|--------------|---------|----------|----------|------|
| REV: | DATE: | DESCRIPTION: | REV BY: | CHK. BY: | DWG. No: | REV: |
|------|-------|--------------|---------|----------|----------|------|