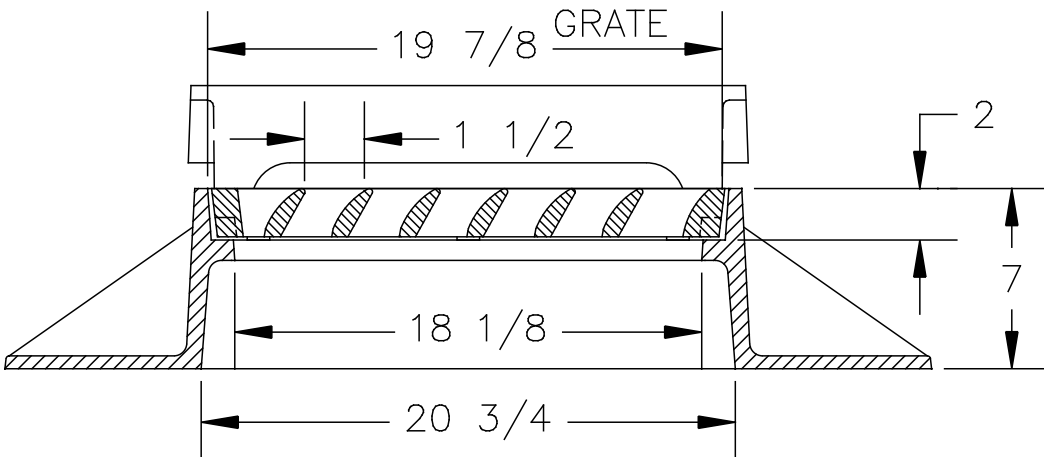
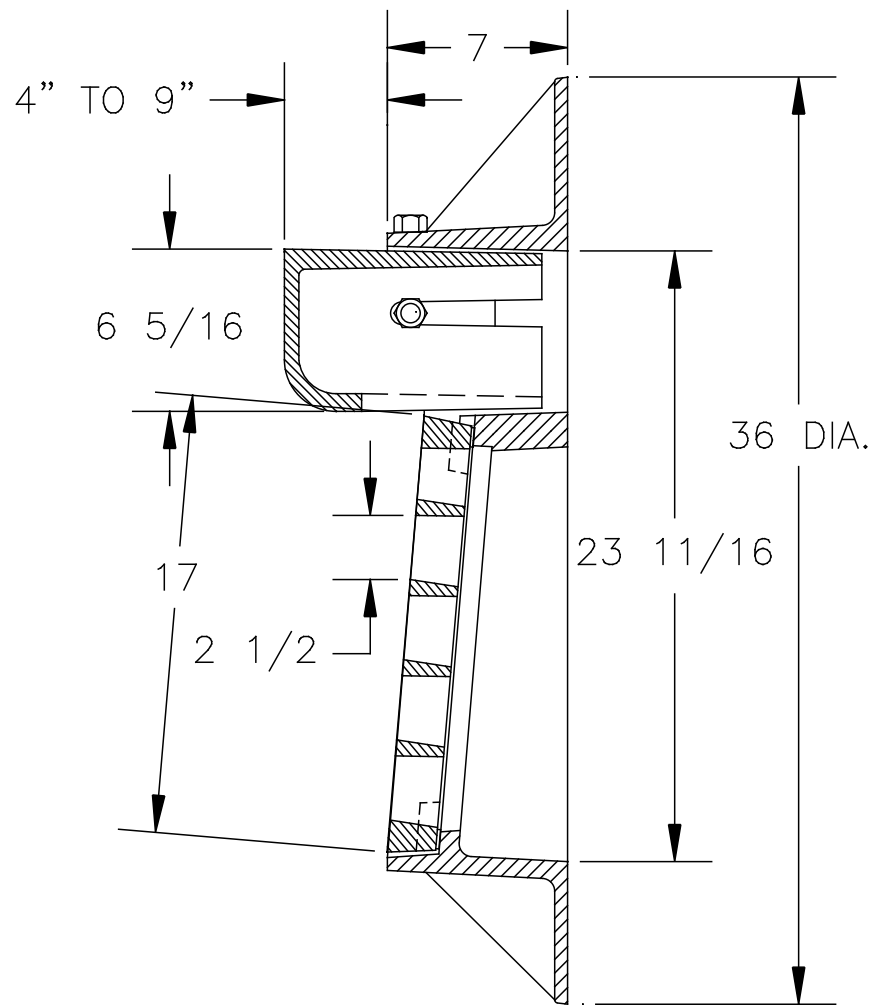
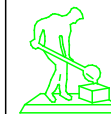


FLANGE
36" DIA.



NOTES:

- 1- MATERIAL ASTM-A48 CLASS 35B GRAY IRON
- 2- WEIGHTS: FRAME 215 LBS. APP.,
HOOD 75 LBS. APP., GRATE 90 LBS. APP.



U.S. FOUNDRY & MFG. CORP.
MEDLEY, FLORIDA

USF 5161 HOOD & FRAME W/ 6019 GRATE
(F.D.O.T. TYPE-10 CURB INLET)

DWN. BY: DBB	SCALE: 1/8" = 1"	DATE: 2/9/00
CHK. BY:	DWG. NO: A1332	REV: