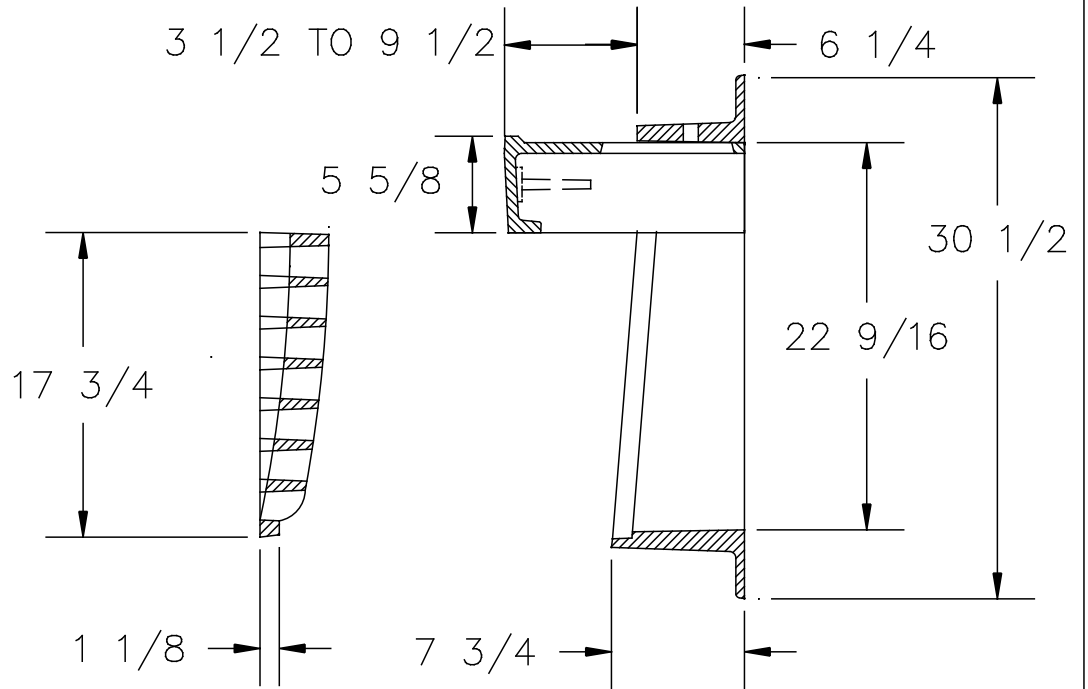
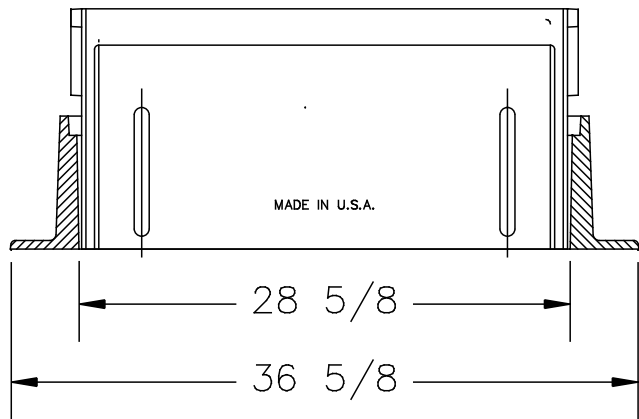
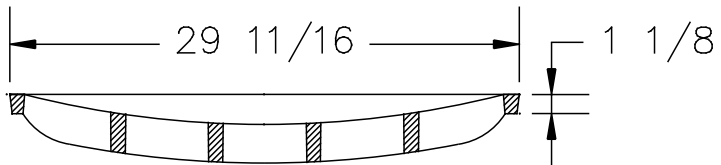


1 5/8 X 4 15/16
OPENINGS



NOTES:

- 1- MATERIAL: ASTM-A48 CLASS 35B GRAY IRON.
- 2- FRAME WT: 245 LBS. APP.
- 3- GRATE WT: 120 LBS. APP.
- 4- HOOD WT: 120 LBS. APP.

U.S. FOUNDRY & MFG. CORP.
MIAMI, FLORIDA

USF 5141 FRAME & HOOD
W/6182 GRATE

DWN. BY: JM DATE: 8/16/91

CHK. BY: DWG. NO: A2600