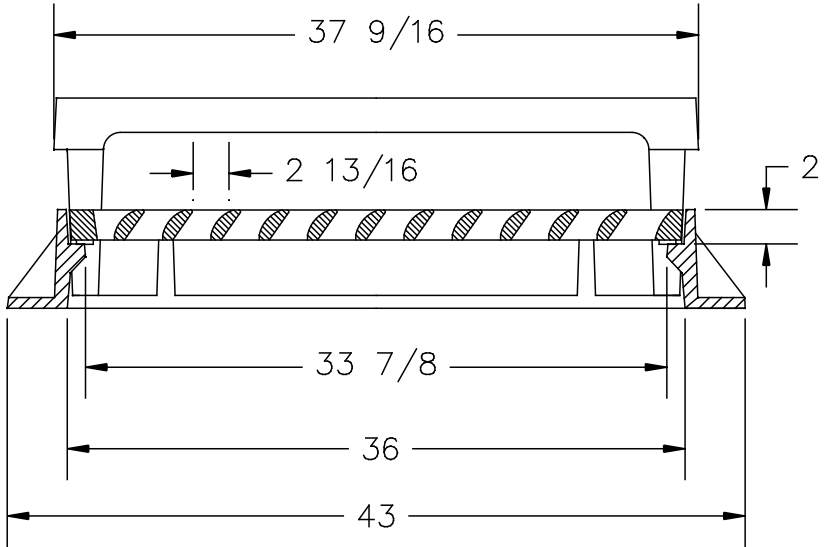
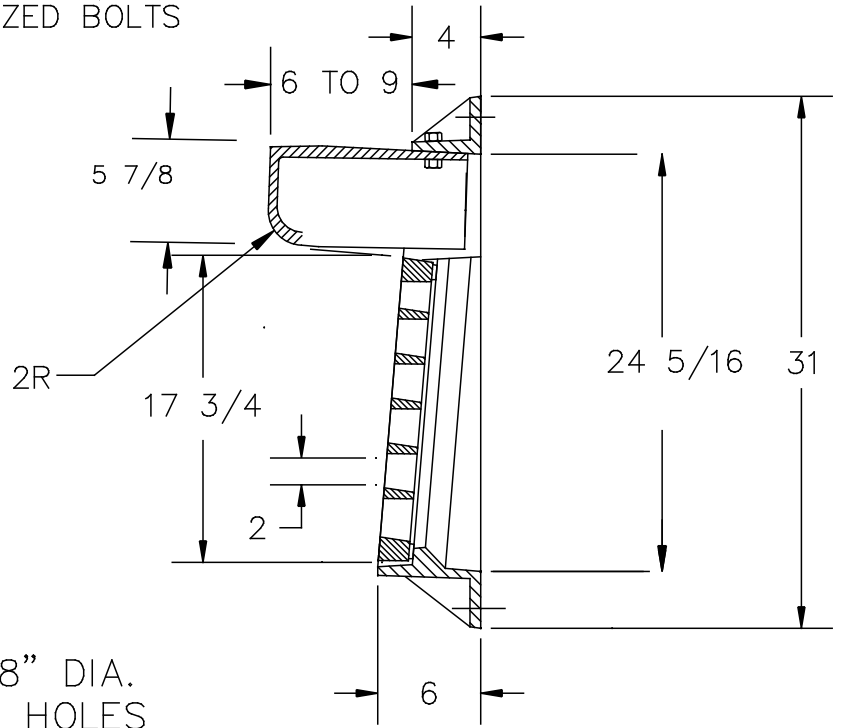


1/2" ϕ X 2 1/2" LG.
GALVANIZED BOLTS

4 - 7/8" DIA.
ANCHOR HOLES



- NOTES:**
- 1- MATERIAL ASTM-A48 CLASS 35B GRAY IRON
 - 2- FRAME WT: 195 LBS.APP.
 - 3- GRATE WT: 155 LBS. APP.
 - 4- HOOD WT: 125 LBS. APP.
 - 5- LOADING: MEDIUM DUTY



U.S. FOUNDRY & MFG. CORP.
MEDLEY, FLORIDA

USF 5130 FRAME & HOOD
& 6016 GRATE

DWN. BY: DBB	SCALE: 1" = 1'-0"	DATE: 6/25/97
CHK. BY:	DWG. NO: A3854	REV: